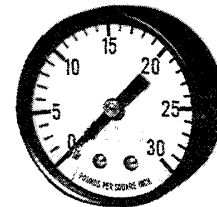
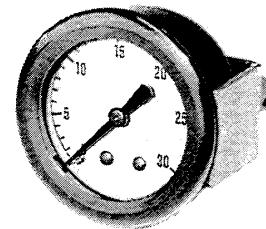


2420 Series pressure gauges are available for stem or flush mounting. The 1-1/2" and 2" stem mount gauges have a black enamel case and friction ring. The 2" flush mount gauges have black enamel cases with chrome plated panel rings.

All gauges are actuated by a phosphor bronze Bourdon tube through sturdy brass gears. Flush mounted gauges use a U-clamp mounting arrangement for ease in mounting to panels of 1/16" to 3/4" thickness.



STEM
MOUNT



FLUSH
MOUNT

Table-1 Ordering Data.

Wholesale Number	Replaces Model	Size	Range Psi	Mounting	Connection
2420-001	A201-01	1-1/2"	0 - 30#	Stem	1/8" Center Back
2420-002	A203-01	2"	0 - 30#	Stem	1/8" Bottom
2420-003	A204-01	2"	0 - 30#	Stem	1/8" Center Back
2420-004	A204-02	2"	0 - 160#	Stem	1/8" Center Back
2420-005	A205-01	2"	0 - 30#	Flush	1/4" Barb Back
2420-006	A205-02	2"	0 - 160#	Flush	1/8" Lower Back

Table-2 Mounting Dimensions.

Dimensions In Inches									
Model	Dial Size	A	B	C	E	F1	F2	W	Cutout
2420-001	1-1/2"	1-43/64	55/64	--	41/64	--	7/16	--	--
2420-002	2"	2-11/64	1-3/32	25/64	--	9/16	--	19/64	--
2420-003 2420-004	2"	2-11/64	1-3/32	--	49/64	--	9/16	--	--
2420-005 2420-006	2"	2-1/4	1-5/64	--	3/4	--	--	--	2-1/16

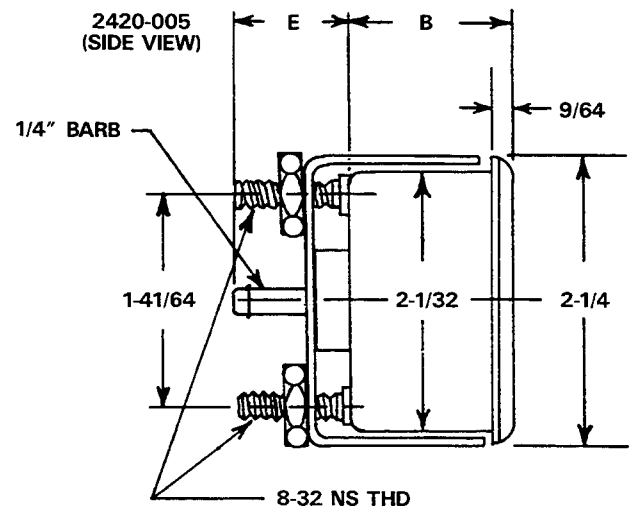
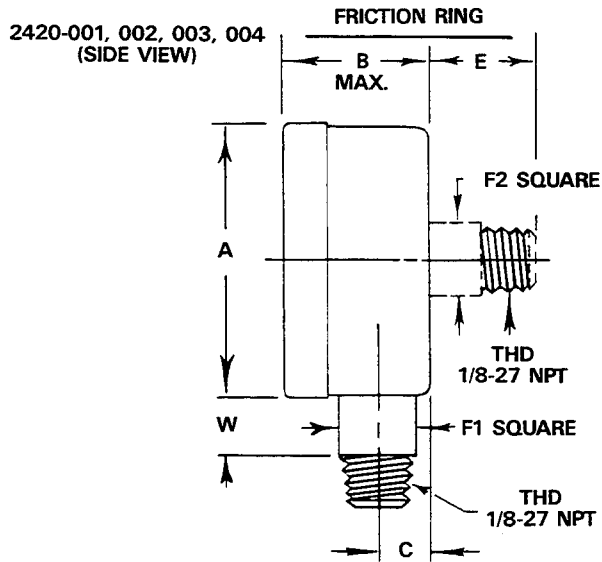


Figure-1 Dimensions.