

Q7800F Adapter Subbase for Connecting 7800 SERIES to Q270 Subbase

Application

The Q7800F Adapter Subbase is used for connecting the 7800 SERIES Relay Module to the Q270 Subbase. This allows replacement of the RA890 or R4795 Primary Controls with the 7800 SERIES Burner Control System without a complete system rewiring.

Specifications

MODEL: Q7800F1004 (RA890) and Q7800F1012 (R4795)
Adapter Subbase connects to the Q270 Subbase and allows replacement of the RA890 or R4795 Primary Controls with the 7800 SERIES Burner Control System without a complete rewiring of the system.

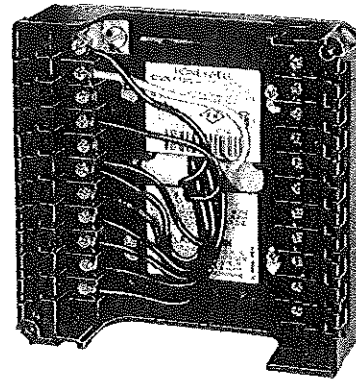
WEIGHT: 15 oz.

DIMENSIONS: See Fig. 1.

ENCLOSURE: NEMA 1.

APPROVAL BODIES:

Underwriters Laboratories Inc.: Component Recognized.
Canadian Standards Association: Certified.

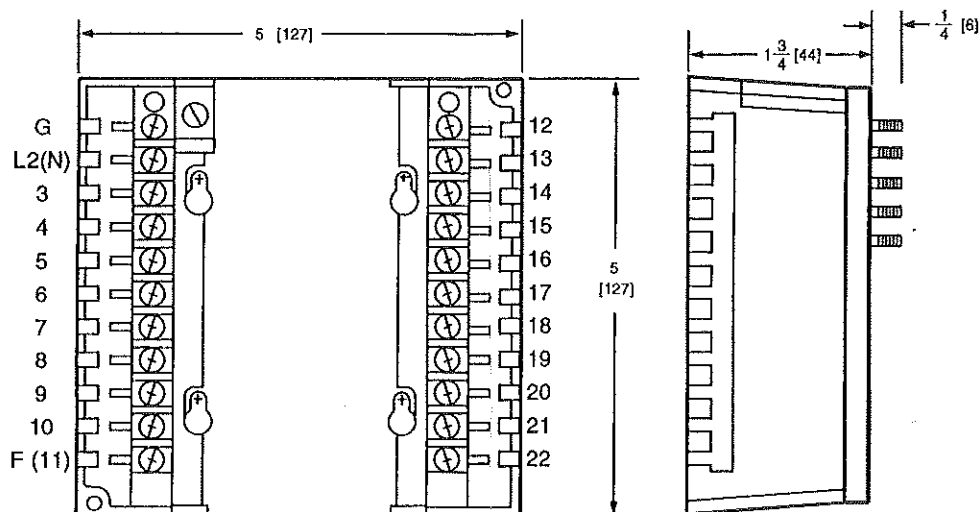


Installation

WHEN INSTALLING THIS PRODUCT...

1. Read these instructions carefully. Failure to follow them could damage the control or cause a hazardous condition.
2. Check the ratings in the instructions and on the control to make sure the control is suitable for your application.
3. Installer must be a trained, experienced Flame Safe-guard service technician.
4. After installation is complete, check out control operation as provided in these instructions.

Fig. 1—Approximate dimensions of Q7800F Adapter Subbase in in. [mm].



M5648



CAUTION

Disconnect power supply before beginning installation to prevent electrical shock and equipment damage. More than one disconnect may be involved.

INSTALLATION

NOTE: For installation dimensions, see Fig. 1. The subbase will mount on the existing Q270A Subbase.

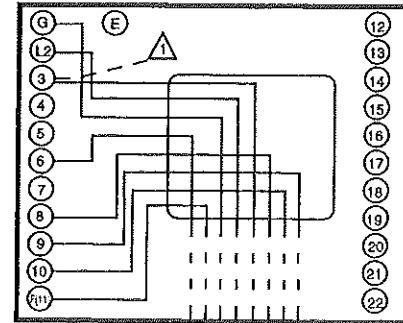
1. Disconnect the power supply before beginning the installation to prevent electrical shock and equipment damage. More than one disconnect may be involved, depending on the system being replaced.
2. Loosen the thumbscrew and remove the cover from the RA890 or R4795.
3. Loosen all ten mounting screws to remove the RA890 or R4795.
4. On the Q7800F Subbase, loosen but do not remove the four screws in the keyhole slots. Lift the black portion of the Q7800F Subbase off the four screws.
5. Slide the black portion of the Q7800F Subbase to the left to expose the five mounting screws on the right-hand side.
6. Position the Q7800F over the Q270A Subbase, and align the right-hand screws of the Q7800F with the matching holes in the Q270A (marked 1 through 5).
7. Tighten the five screws on the right-hand side of the Q7800F to form part of the electrical connection between the Q270 and the 7800 SERIES control.
8. Slide the black portion of the Q7800F to the right to expose the five mounting screws on the left-hand side.
9. Tighten the five screws on the left-hand side of the Q7800F to form part of the electrical connection between the Q270 and the 7800 SERIES control.
10. Make sure that all ten mounting screws are tightened.
11. Slide the black portion of the Q7800F Subbase back over the keyhole screws and tighten the screws to complete the installation.
12. Install the 7800 SERIES Relay Module.
13. Restore power to the system.

Wiring

No additional wiring is normally required. If the device being replaced is an RA890F,H, or J, an additional wiring change is required. In the Q7800F1004, bring L1 power from the power source to the Q7800F Subbase terminal 3 (Fig. 2). In the Q7800F1012, bring L1 power from the power source to Q7800F Subbase terminal 5 (Fig. 3). See the wiring diagrams inside the Q7800F.

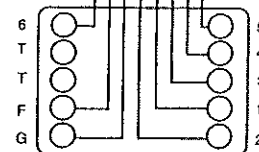
Fig. 2—Q7800F1004 internal wiring diagram.

WIRING DIAGRAM FOR Q7800F1004
(FOR REPLACEMENT OF RA890)



120V, 50/60 Hz

USE COPPER
CONDUCTORS ONLY.

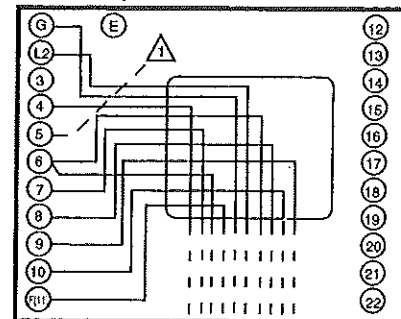


⚠ IF DEVICE BEING REPLACED IS RA890F, H, OR J, BRING L1 POWER FROM POWER SOURCE TO THE Q7800F SUBBASE TERMINAL 3.

M5647

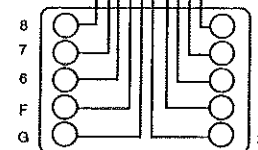
Fig. 3—Q7800F1012 internal wiring diagram.

WIRING DIAGRAM FOR Q7800F1012
(FOR REPLACEMENT OF R4795)



120V, 50/60 Hz

USE COPPER
CONDUCTORS ONLY.



⚠ IF DEVICE BEING REPLACED IS R4795, BRING L1 POWER FROM POWER SOURCE TO THE Q7800F SUBBASE TERMINAL 5.

M5648

Checkout

After installation, perform a complete system checkout. Follow procedures supplied by the equipment manufacturer and instructions furnished with the 7800 SERIES Relay Module.

Honeywell

Home and Building Control
Honeywell Inc.
1985 Douglas Drive North
Golden Valley, MN 55422

Home and Building Control
Honeywell Limited—Honeywell Limitée
740 Ellesmere Road
Scarborough, Ontario
M1P 2V9

Helping You Control Your World

