

Standard circulation pumps

PC3F2699IUF00

Honeywell



Optional Check Valve Kit: PVC125

Technical data

Rate of flow: up to 24,5 gpm
 Pressure head: up to 31 ft
 Media temperature: 14 °F to 203 °F
 Installation length: 6 ½ inch
 Connection standard: USA oval
 Type of connection: Crossflange
 Protection class: IP 44
 Insulation class: F
 Pressure max: 145 psi
 Control: 3-step switch with manual speed selection
 Rated voltage: 1 x 115 V
 Main frequency: 60 Hz
 Voltage tolerance: +/- 10%
 Shipping weight: 9,5 lbs

Use

The series of flanged-connection circulators is designed for large commercial and industrial systems. The HLP A has 3 speed motor making it easy to adjust to the system needs.

Main areas of use

Heating, air-conditioning, and industry systems as

- dual pipe system
- boiler / primary circuit
- underfloor heating
- storage charging circuit

Flow media

- heating water
- pure, thin, non-aggressive and non-explosive, mineral oil-free media without solid particles or fibres
- media with a max. viscosity of $1,08 \times 10^{-4}$ ft²/s
- operating data must be checked above 20 % glycol

Materials

Component	Material	Material No.
Pump body	Grey-cast iron	0.6020
Impeller	Polyamide (PA - GF 35)	
Shaft	Ceramic	
Bearing	Ceramic	
Bearing plate	Stainless steel	1.4301
Can	Stainless steel	1.4301

Temperature range

Ambient temperature: 32°F to 104°F
 Temperature class: TF 95
 Media temperature: 14°F to 203°F

Motor protection

The motor includes an internal thermal overload protection. External motor protection is not required.

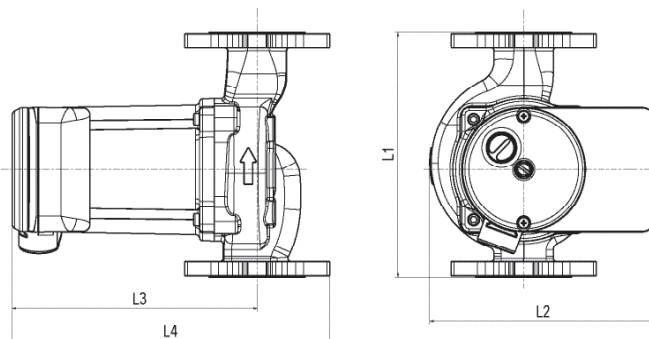
Speed switching

Three speed, with manual selector. The respective speed is set via rotary switch integrated in the terminal board

HLP A 26 -99					
Speed	Volts	Amps	Watts	Hp	Capacitor (µF)
1	115	1,1	125	0,168	20
2		1,5	175	0,235	20
3		1,7	200	0,268	20

Dimensions

Type	L1	L2	L3	L4
HLP A 26-99	165,5	155	165	197



Characteristics

