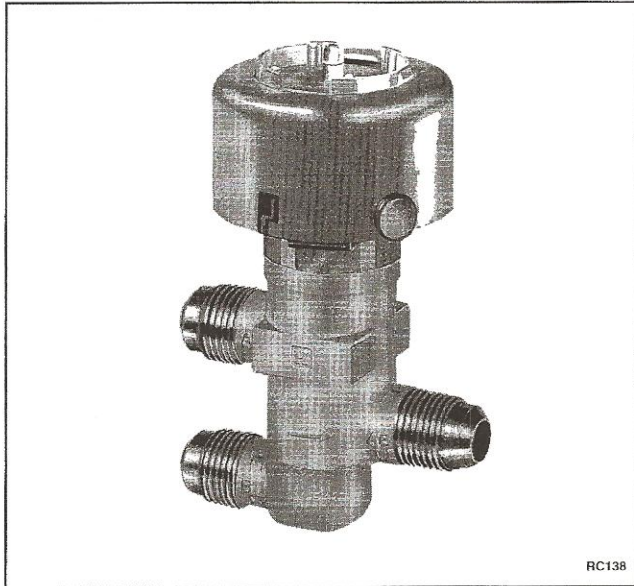


VP526A Pneumatic Three-Way High Pressure Water Valve

SPECIFICATION DATA



FEATURES

- Small size permits installation where space is limited
- Direct-acting, rolling diaphragm actuator with integral high temperature plastic air connector for 1/4-in. (6-mm) O.D. plastic tubing
- Spring loaded, self-adjusting Buna-N "V"-ring packing replaceable without shutting system down
- Brass seats (lower is integral, upper is removable) and contoured plug provide metal-to-metal seating
- Stainless steel stem
- Linear and constant total flow throughout full plug travel

GENERAL

The VP526A three-way valve provides proportional control of hot and/or cold water in unit ventilator and fan coil systems. The pipe connections are for 45 degrees SAE flared fittings.

DESCRIPTION

The VP526A three-way valve provides proportional control of hot and/or cold water in unit ventilator and fan coil systems.

EPRI Edgemont Precision Rebuilders, Inc
Matlack Industrial Center
207 Carter Dr Unit C
West Chester, PA 19382
800-356-3774



SPECIFICATIONS

Valve Sizes:

- 3/8 in. nominal for 1/2 in. O.D. tubing
- 1/2 in. nominal for 5/8 in. O.D. tubing

End Connections:

45 degree SAE flare

Capacity Index (Cv):

3/8 in.: 1.0 or 1.6 Cv
1/2 in.: 1.6 or 2.5 Cv

Spring Range:

2 to 5 psi (14 to 34 kPa)
3 to 10 psi (21 to 69 kPa)
8 to 11 psi (55 to 76 kPa)

Construction:

Body: Forged brass
Seats: Brass; lower integral, upper removable
Plug: Contoured brass
Packing: Buna "V" ring, spring loaded, self-adjusting replaceable
Stem: Stainless steel

Flow Characteristics:

Linear and constant flow throughout plug travel

Body Pressure Rating (Nominal):

250 psi (1724 kPa)

Controlled Medium Temperature:

35 to 250F (2 to 121C)

Actuator:

Direct acting, rolling diaphragm type

Air Connection:

Integral, for 1/4-in. (6-mm) O.D. plastic tubing

Maximum Safe Air Pressure:

30 psi (207 kPa)

Maximum Diaphragm Temperature:

230F (110C)

Dimensions in Inches (Millimeters):

Valve Size	Height	Width	Actuator Diameter
3/8 (10)	4-15/16 (119)	3 (76)	2-1/4 in. (57)
1/2 (13)	5-9/16 (141)	3-7/16 (87)	2-1/4 in. (57)

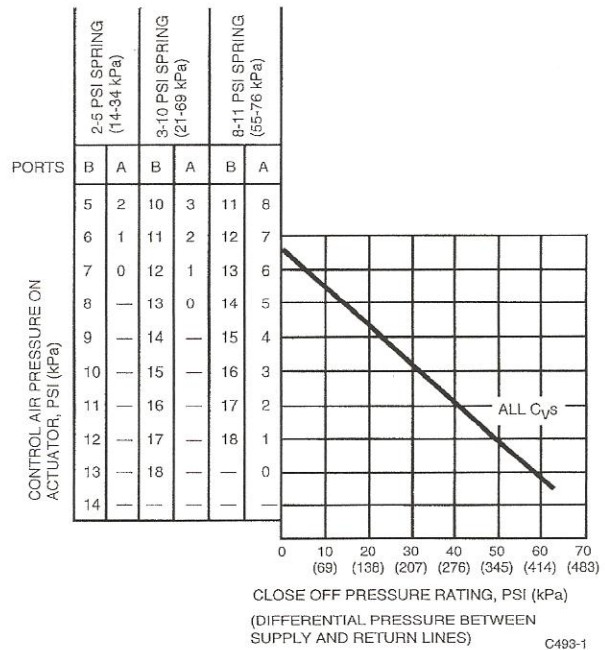
Valve Action:

Normally open B to AB
Normally closed A to AB

Accessories:

Position Indicator: 14001101-001
Vandalism Shield Assembly: 14003648-001. Consists of cover assembly with 1/8 in. NPT air connection and push-in retainer.

Close-Off Ratings:



Home and Building Control

Honeywell Inc.
Honeywell Plaza
P.O. Box 524
Minneapolis MN 55408-0524

Honeywell Latin American Division

Miami Lakes Headquarters
14505 Commerce Way Suite 500
Miami Lakes FL 33016

Home and Building Control

Honeywell Limited-Honeywell Limitée
740 Ellesmere Road
Scarborough Ontario
M1P 2V9

Honeywell Europe S.A.

3 Avenue du Bourget
B-1140 Brussels Belgium

Honeywell Asia Pacific Inc.

Room 3213-3225
Sun Hung kai Centre
No. 30 Harbour Road
Wanchai
Hong Kong

EPRI Edgemont Precision Rebuilders, Inc
Matlack Industrial Center
207 Carter Dr Unit C
West Chester, PA 19382
800-356-3774

Honeywell

Helping You Control Your World