

Description

The KMC TSC-2000 series are one-pipe pneumatic devices designed to transmit a fully proportional, fixed span 3 to 15 psig (20 to 103 kPa) output signal.

With five different ranges available, the output signal can be used as an input for receiver-controllers or receiver gauges for visual indication of system conditions.

The TSC-2000 series requires a restricted input air supply. An HFO-0010 restrictor T is available separately. The units must be mounted with the control air port pointing down.

Features

- ◆ Fully proportional 3 to 15 psi (21 to 103 kPa) signal
- ◆ Five selectable output signal ranges
- ◆ Works with receiver controllers or receiver gauges.

Applications

Typical uses include sensing and transmitting static pressure drop across filters, fans or any two reference points or velocity pressure differentials.



Models

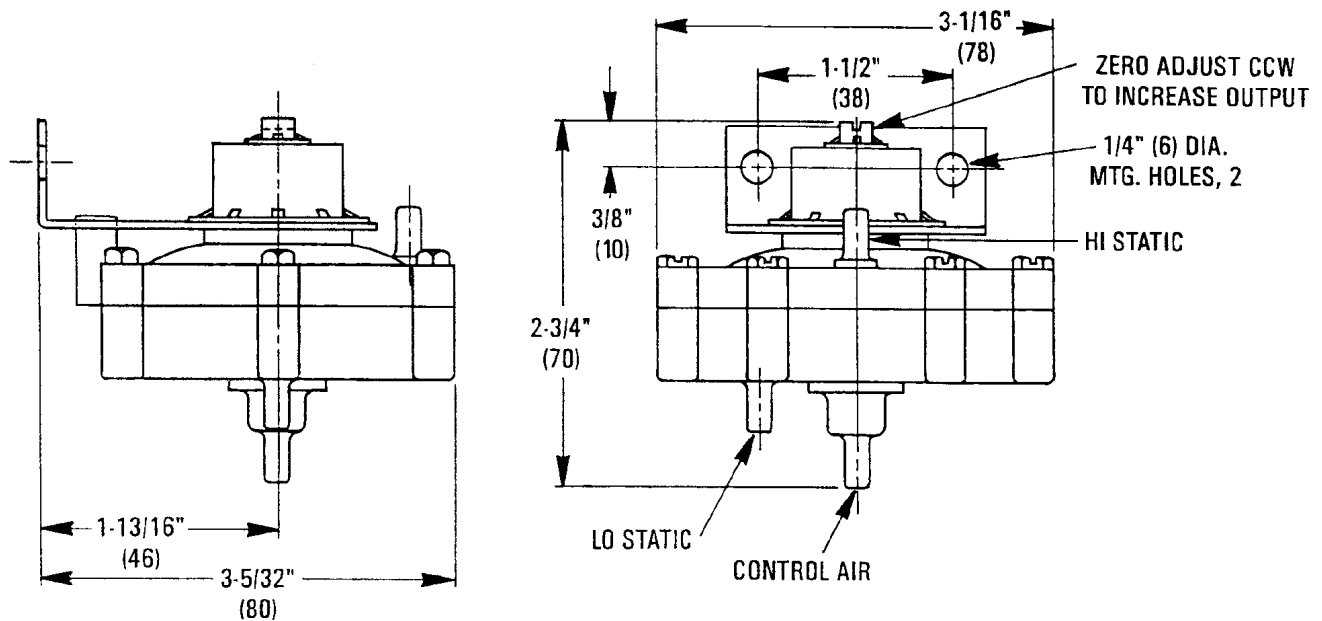
TSC-2001	0" to 0.5" WC (0 to 0.12 kPa)
TSC-2002	0" to 1" WC (0 to 0.25 kPa)
TSC-2003	0" to 2" WC (0 to 0.5 kPa)
TSC-2004	0" to 4" WC (0 to 1.0 kPa)
TSC-2005	-0.5" to 0.5" WC (-0.12 to 0.12 kPa)

Accessories

HFO-0010	Restrictor Tee
----------	----------------

Details

All dimensions in inches (mm).



Specifications

Action	Direct acting
Output	3 to 15 psig (20 to 103 kPa)
Supply Pressure	20 psig (138 kPa) supplied through a filtered restrictor sold separately (HFO-0010) 30 psig (207 kPa) max.
Air Consumption	14.4 scim (3.93 mL/s)
Air Connections	3/16" (5 mm) fittings for 1/4" (6 mm) O.D. polyethylene tubing
Material	Beige ABS, UL Flame Class 94HB
Weight	4 oz. (113 grams)
Temperature Limits	
Operating	40° to 120° F (4° to 49° C)
Shipping	-40° to 140° F (-40° to 60° C)

!CAUTION

Pneumatic devices MUST operate with CLEAN, DRY, control air. Any other medium will result in the device's eventual failure.

KMC Controls, Inc.
19476 Industrial Drive
New Paris, IN 46553
574.831.5250
www.kmcccontrols.com