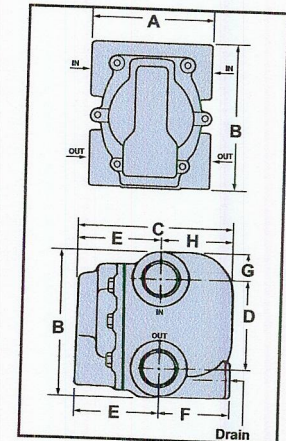
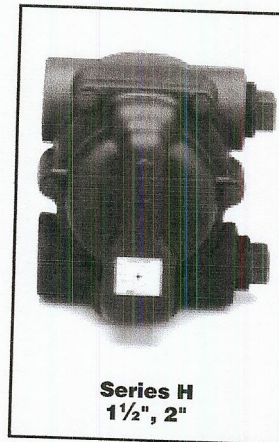
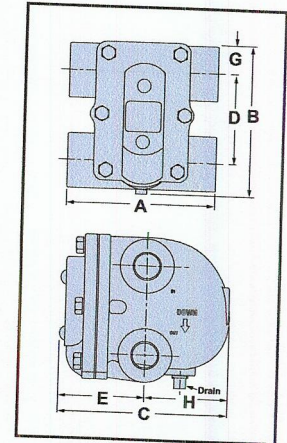
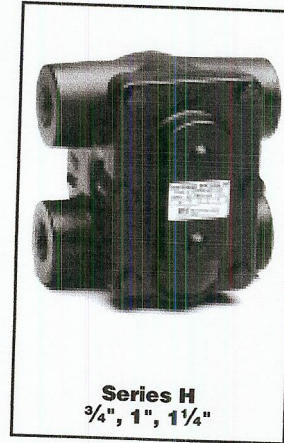


Float and Thermostatic Steam Traps

Series H BEAR TRAP®

- Models 3/4" - 2" feature Universal 4 - port tappings, (2 inlets, 2 outlets) that provide versatility to allow easy piping and system monitoring
- Sizes available:
 - 3/4" NPT and BSPT
 - 1" NPT and BSPT
 - 1 1/4" NPT
 - 1 1/2" NPT
 - 2" NPT
- Stainless steel internal components
- Resistant to water hammer and corrosion
- Below condensate level seat design prevents steam leakage
- Rugged thermostatic element eliminates air binding
- Maximum body design pressure
 - 250 psig (17.3 bar) 3/4" - 1 1/4"
 - 175 psig (12.1 bar) 1 1/2" - 2"
- Maximum operating pressure
 - 175 psig (12.1 bar) 3/4" - 2"
- Maximum temperature
 - 406°F (208°C) 3/4" - 1 1/4"
 - 377°F (192°C) 1 1/2" - 2"



Materials of Construction	
Part	Specifications
Body and cover	Cast Iron 30,000 psi tensile
Valve Pin and Seat	Stainless Steel (Hardened)
Float	Stainless Steel
Lever Assembly	Stainless Steel
Thermostatic Air Vent	Stainless Steel Cage and Thermal Element
Cover Bolts	Grade 5

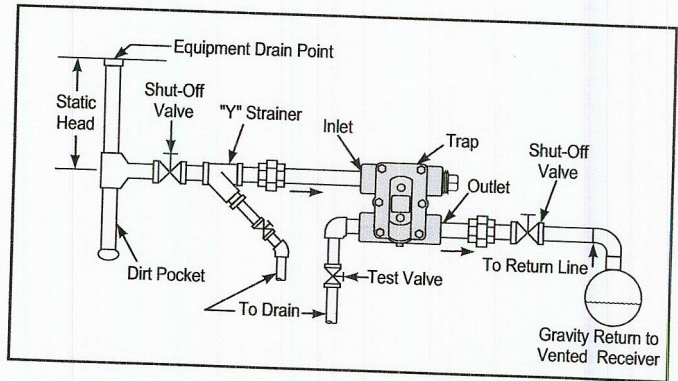
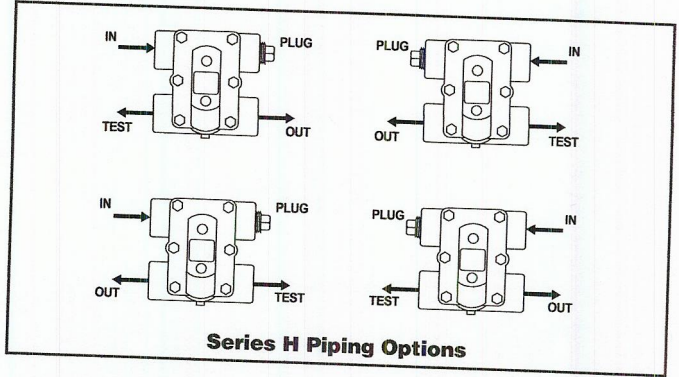
Dimensions in. (mm)

Size in.	A	B	C	D	E	F	G	H
3/4	5 1/2 (140)	5 19/32 (142)	6 1/2 (165)	3 5/16 (84)	3 13/32 (86)	—	1 5/64 (27)	3 1/16 (78)
1	5 1/2 (140)	5 19/32 (142)	6 1/2 (165)	3 5/16 (84)	3 13/32 (86)	—	1 5/64 (27)	3 1/16 (78)
1 1/4	5 1/2 (140)	5 19/32 (142)	6 1/2 (165)	3 (76)	3 13/32 (86)	—	1 5/64 (27)	3 1/16 (78)
1 1/2	6 3/8 (162)	7 11/16 (195)	8 7/32 (209)	5 1/4 (133)	4 13/32 (112)	3 13/16 (97)	1 11/32 (34)	3 13/16 (97)
2	6 (152)	11 (279)	9 5/32 (233)	7 15/32 (190)	4 17/32 (115)	4 7/32 (107)	1 5/8 (41)	4 5/8 (117)

Series H additional inlet and outlet features

Models 3/4" - 2"

- Allows positioning options for easy service
- Additional inlet provides a convenient location for vacuum breakers or separate external air vents. Vacuum breakers are required for systems with a modulating temperature regulating valve. External air vents are required when the trap discharges into a wet return line.
- Additional outlet provides a convenient location for a test valve, which eliminates the need for a costly trap test chamber and electronic monitors.



Ordering Information

To convert previously manufactured Hoffman Specialty F & T Trap Model numbers, see page 17.

NPT Model Number	BSPT Model Number	Size in.	NPT Part Number	BSPT Part Number	Seat Differential Pressure Rating psi (bar)	Body Design Pressure Rating psi (bar)	Weight lbs. (kg)
FT015H-3		3/4	404200		15 (1.0)	250 (17.3)	11.7 (5.3)
FT015H-4		1	404210		15 (1.0)	250 (17.3)	11.7 (5.3)
FT015H-5		1 1/4	404220		15 (1.0)	250 (17.3)	11.7 (5.3)
FT015H-6		1 1/2	401626		15 (1.0)	175 (12.1)	22 (10)
FT015H-8		2	401629		15 (1.0)	175 (12.1)	38 (17)
FT030H-3		3/4	404202		30 (2.1)	250 (17.3)	11.7 (5.3)
FT030H-4		1	404212		30 (2.1)	250 (17.3)	11.7 (5.3)
FT030H-5		1 1/4	404222		30 (2.1)	250 (17.3)	11.7 (5.3)
FT030H-6		1 1/2	401638		30 (2.1)	175 (12.1)	22 (10)
FT075H-3	FT075H-3J	3/4	404204	404205	75 (5.2)	250 (17.3)	11.7 (5.3)
FT075H-4	FT075H-4J	1	404214	404215	75 (5.2)	250 (17.3)	11.7 (5.3)
FT125H-3	FT125H-3J	3/4	404206	404207	125 (8.6)	250 (17.3)	11.7 (5.3)
FT125H-4	FT125H-4J	1	404216	404217	125 (8.6)	250 (17.3)	11.7 (5.3)
FT175H-3		3/4	404208		175 (12.1)	250 (17.3)	11.7 (5.3)
FT175H-4		1	404218		175 (12.1)	250 (17.3)	11.7 (5.3)

EPRI Edgemont Precision Rebuilders, Inc.
 Matlack Industrial Center
 207 Carter Dr Unit C
 West Chester, PA 19382
 800 356-3774

Float and Thermostatic Steam Traps (continued)

Series H BEAR TRAP® (continued)

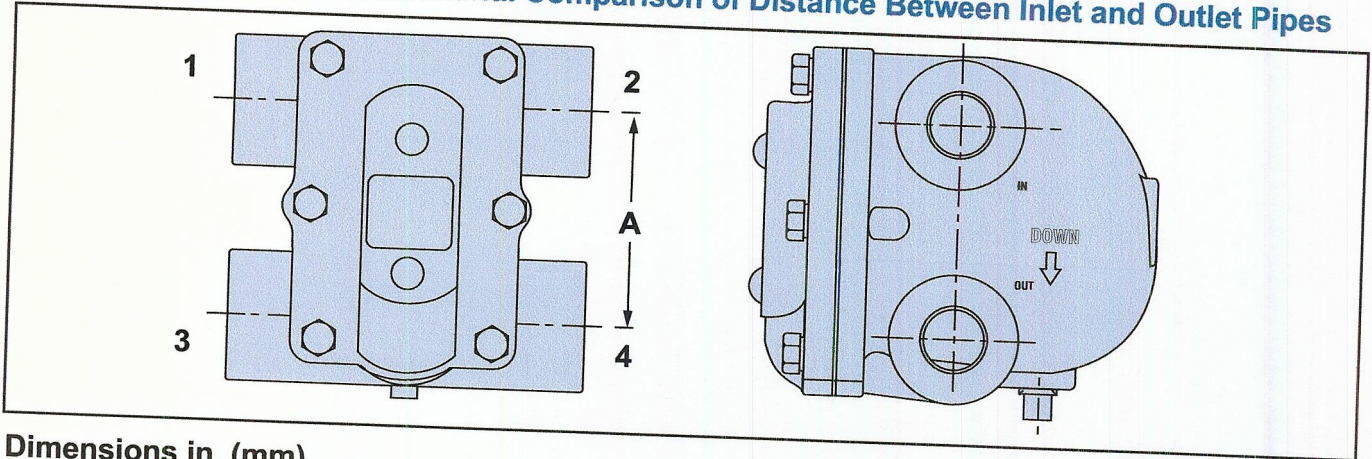
- Determine the differential pressure across the trap (inlet pressure - outlet pressure). On applications where the steam is controlled by a modulating temperature regulator, the trap differential should be 1/2 psi (0.34 bar).
- Determine the capacity based on the differential pressure and the required capacity of the trap to open against the maximum inlet steam pressure.
- Apply a Safety Factor by multiplying required capacity by 1.5.

Capacities (Gross Ratings)

Model	Size in.	Orifice Size in. (mm)	Pressure Differential in Pounds Per Square Inch (bar)																	
			1/4 (0.017)	1/2 (0.035)	1 (0.07)	2 (0.14)	5 (0.35)	10 (0.69)	15 (1.0)	20 (1.4)	25 (1.69)	30 (2.1)	40 (2.8)	50 (3.5)	60 (4.2)	75 (5.2)	100 (6.9)	125 (8.6)	150 (10.4)	175 (12.1)
Capacities in Pounds of Condensate Per Hour (kg/hr.)																				
FT015H-3	3/4	.253 (6.4)	390 (177)	500 (227)	680 (308)	910 (413)	1100 (500)	1450 (658)	1600 (725)											
FT015H-4	1	.253 (6.4)	390 (177)	500 (227)	680 (308)	910 (413)	1100 (500)	1450 (658)	1600 (725)											
FT015H-5	1 1/4	.312 (8)	600 (272)	770 (350)	980 (444)	1240 (562)	1640 (744)	2000 (907)	2340 (1062)											
FT015H-6	1 1/2	.500 (13)	1280 (581)	1700 (771)	2050 (2050)	2550 (1157)	3500 (1588)	4400 (1996)	5300 (2404)											
FT015H-8	2	.687 (17)	2500 (1134)	3150 (1429)	4000 (1814)	5000 (2268)	6800 (3084)	8300 (3765)	9800 (4405)											
FT030H-3	3/4	.235 (6)	380 (172)	470 (214)	630 (285)	870 (395)	1050 (475)	1380 (625)	1530 (695)	1700 (770)	1820 (825)	1900 (860)								
FT030H-4	1	.235 (6)	380 (172)	470 (214)	630 (285)	870 (395)	1050 (475)	1380 (625)	1530 (695)	1700 (770)	1820 (825)	1900 (860)								
FT030H-5	1 1/4	.253 (6.4)	420 (190)	550 (250)	740 (335)	1000 (450)	1200 (545)	1550 (700)	1760 (800)	1850 (840)	2000 (907)	2200 (1000)								
FT030H-6	1 1/2	.438 (11)	580 (263)	800 (362)	1200 (544)	1680 (762)	2600 (1179)	3500 (1387)	4500 (2041)	5200 (2358)	5700 (2585)	6100 (2766)								
FT075H-3	3/4	.166 (4.2)	160 (72)	210 (95)	280 (125)	360 (165)	520 (235)	700 (320)	800 (360)	870 (395)	930 (420)	970 (440)	1120 (510)	1230 (560)	1300 (590)	1450 (658)				
FT075H-4	1	.166 (4.2)	160 (72)	210 (95)	280 (125)	360 (165)	520 (235)	700 (320)	800 (360)	870 (395)	930 (420)	970 (440)	1120 (510)	1230 (560)	1300 (590)	1450 (658)				
FT125H-3	3/4	.125 (3.2)	100 (45)	130 (60)	170 (77)	230 (104)	330 (150)	410 (186)	500 (225)	560 (255)	620 (280)	660 (300)	750 (340)	830 (375)	890 (400)	970 (440)	1100 (500)	1190 (540)		
FT125H-4	1	.125 (3.2)	100 (45)	130 (60)	170 (77)	230 (104)	330 (150)	410 (186)	500 (225)	560 (255)	620 (280)	660 (300)	750 (340)	830 (375)	890 (400)	970 (440)	1100 (500)	1190 (540)		
FT175H-3	3/4	.106 (2.7)	70 (32)	80 (36)	110 (50)	140 (63)	220 (100)	280 (127)	340 (155)	380 (172)	400 (180)	420 (190)	460 (210)	480 (220)	520 (235)	580 (263)	690 (315)	850 (385)	960 (435)	1000 (454)
FT175H-4	1	.106 (2.7)	70 (32)	80 (36)	110 (50)	140 (63)	220 (100)	280 (127)	340 (155)	380 (172)	400 (180)	420 (190)	460 (210)	480 (220)	520 (235)	580 (263)	690 (315)	850 (385)	960 (435)	1000 (454)

EPRI Edgemont Precision Rebuilders, Inc.
 Matlack Industrial Center
 207 Carter Dr Unit C
 West Chester, PA 19382
 800 356-3774

Series H Competitive Dimensional Comparison of Distance Between Inlet and Outlet Pipes



Dimensions in. (mm)

Size	Manufacturer	Port Tappings				A in. (mm)
		1	2	3	4	
3/4" and 1"	Hoffman FT015H-3 / FT015H-4	Yes	Yes	Yes	Yes	3 ⁵ / ₁₆ (83)
	Hoffman 55	Yes	Yes	Yes	Yes	3 ¹ / ₈ (78)
	Spirax FT015	No	Yes	No	Yes	3 ⁵ / ₁₆ (83)
	Armstrong 15-B3 & 15-B4	Yes	Yes	No	Yes	3 (76)
	Mepco/Dunham Bush 40-215 & 40-415	No	Yes	No	Yes	3 ³ / ₈ (86)
	Mepco/Dunham Bush 40-215 & 40-415	Yes	Yes	Yes	Yes	3 ³ / ₈ (86)

Size	Manufacturer	Port Tappings				A in. (mm)
		1	2	3	4	
1 1/4"	Hoffman FT015H-5	Yes	Yes	Yes	Yes	3 (76)
	Hoffman 55	Yes	Yes	Yes	Yes	4 ¹ / ₈ (104)
	Spirax FT015	No	Yes	No	Yes	3 (76)
	Armstrong 15-B5	Yes	Yes	No	Yes	3 (76)
	Mepco/Dunham Bush 40-515	No	Yes	No	Yes	3 (76)
	Mepco/Dunham Bush 44-515	Yes	Yes	Yes	Yes	3 (76)

Size	Manufacturer	Port Tappings				A in. (mm)
		1	2	3	4	
1 1/2"	Hoffman FT015H-6	Yes	Yes	Yes	Yes	5 ¹ / ₄ (133)
	Hoffman 55	Yes	Yes	Yes	Yes	5 ¹ / ₄ (133)
	Armstrong 15-B6	Yes	Yes	No	Yes	4 ³ / ₁₆ (106)
	Mepco/Dunham Bush 40-715	No	Yes	No	Yes	3 (76)
	Mepco/Dunham Bush 44-715	Yes	Yes	Yes	Yes	3 (76)

Size	Manufacturer	Port Tappings				A in. (mm)
		1	2	3	4	
2"	Hoffman FT015H-8	Yes	Yes	Yes	Yes	7 ¹⁵ / ₃₂ (190)
	Hoffman 55	Yes	Yes	Yes	Yes	7 ¹⁵ / ₃₂ (190)
	Armstrong 15-B8	Yes	Yes	No	Yes	6 (152)