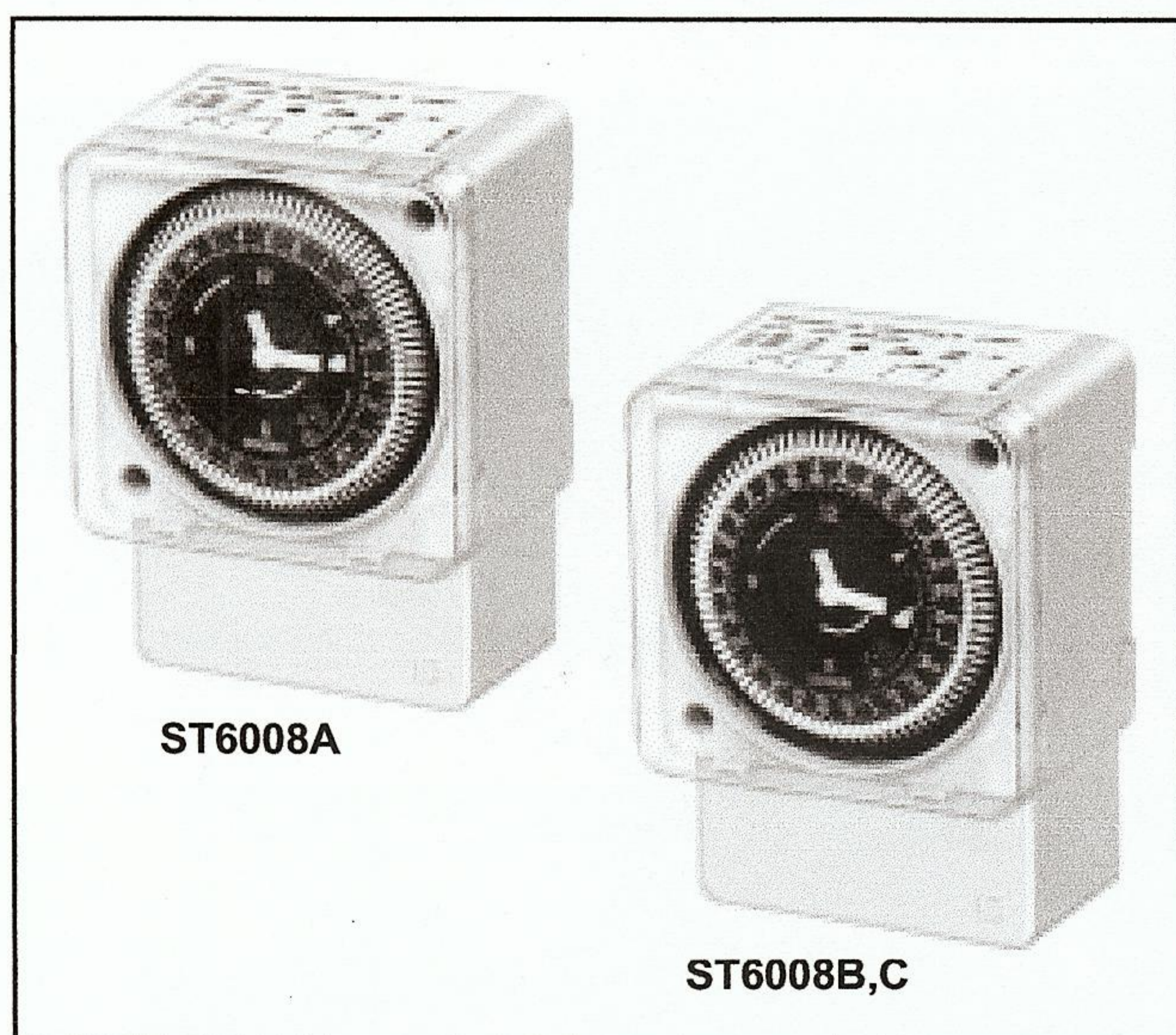


## ST6008A,B,C Energy Management Timers

### 24-HOUR OR 7-DAY TIME SWITCHES

#### SPECIFICATION DATA



#### FEATURES

- Universal application with 24-hour or 7-day programming.
- UL and CSA recognized components.
- Battery backup (quartz drive).
- Screw wiring terminals.
- Three-way override.
- Captive trippers.

#### GENERAL

The ST6008 family of Programmable Timers are compact synchronous and quartz time controls that provide 24-hour or 7-day time-based switching. Heavy duty 21A contacts can switch low or line voltage loads.

Minimum on-off times are 15 minutes for the 24-hour timer and two hours for the 7-day timer.

#### APPLICATION

Time-based control of lighting, ventilation, heating and cooling or other electrical loads in commercial and industrial applications. The ST6008 time switches are available with 24-hour or 7-day program dial and a single pole double pole switch.

The ST6008 series is intended for surface or DIN rail mounting. The control is completely enclosed in a plastic housing and includes a terminal cover and subbase for installation and hard wiring.

EPRI Edgemont Precision Rebuilders, Inc  
Matlack Industrial Center  
207 Carter Dr Unit C  
West Chester, PA 19382  
800-356-3774





# SPECIFICATIONS

**IMPORTANT**

The specifications given in this publication do not include normal manufacturing tolerances; therefore, an individual unit may not exactly match the listed specifications. Also, this product is tested and calibrated under closely controlled conditions, and some minor differences in performance can be expected if those conditions are changed.

**Models:**

- ST6008A1006: 24-hour time-based switching with synchronous drive.
- ST6008B1005: 7-day time-based switching with synchronous drive.
- ST6008C1004: 7-day time-based switching with quartz drive and battery backup.

Model	Type	Input Voltage	Relay Output	Battery Reserve
ST6008A1006	24-hour synchronous	120V, 60 Hz	1 spdt	N/A
ST6008B1005	7-day synchronous	120V, 50 Hz	1 spdt	N/A
ST6008C1004	7-day quartz	120V, 50/60 Hz	1 spdt	7-day

**Supply Voltage:**  
 Synchronous: 120V, 60 Hz.  
 Quartz: 120V, 50/60 Hz.

**Switch Type:**  
 spdt.

**Switch Rating:**  
 21A, 250V resistive.  
 1350W tungsten.  
 1 hp at 120V.  
 2 hp at 240V.  
 16 FLA, 96 LRA, 120V inductive.  
 12 FLA, 72 LRA, 240V inductive.

**Power Consumption:**  
 0.5 VA.

**Ambient Temperature Range:**  
 -40°F (4°C) to 180°F (82°C), synchronous units.  
 -14°F (26°C) to 131°F (55°C), quartz units.

**Reserve Carryover:**  
 150 hours for quartz units.

**Dimensions:**  
 See Fig. 1.

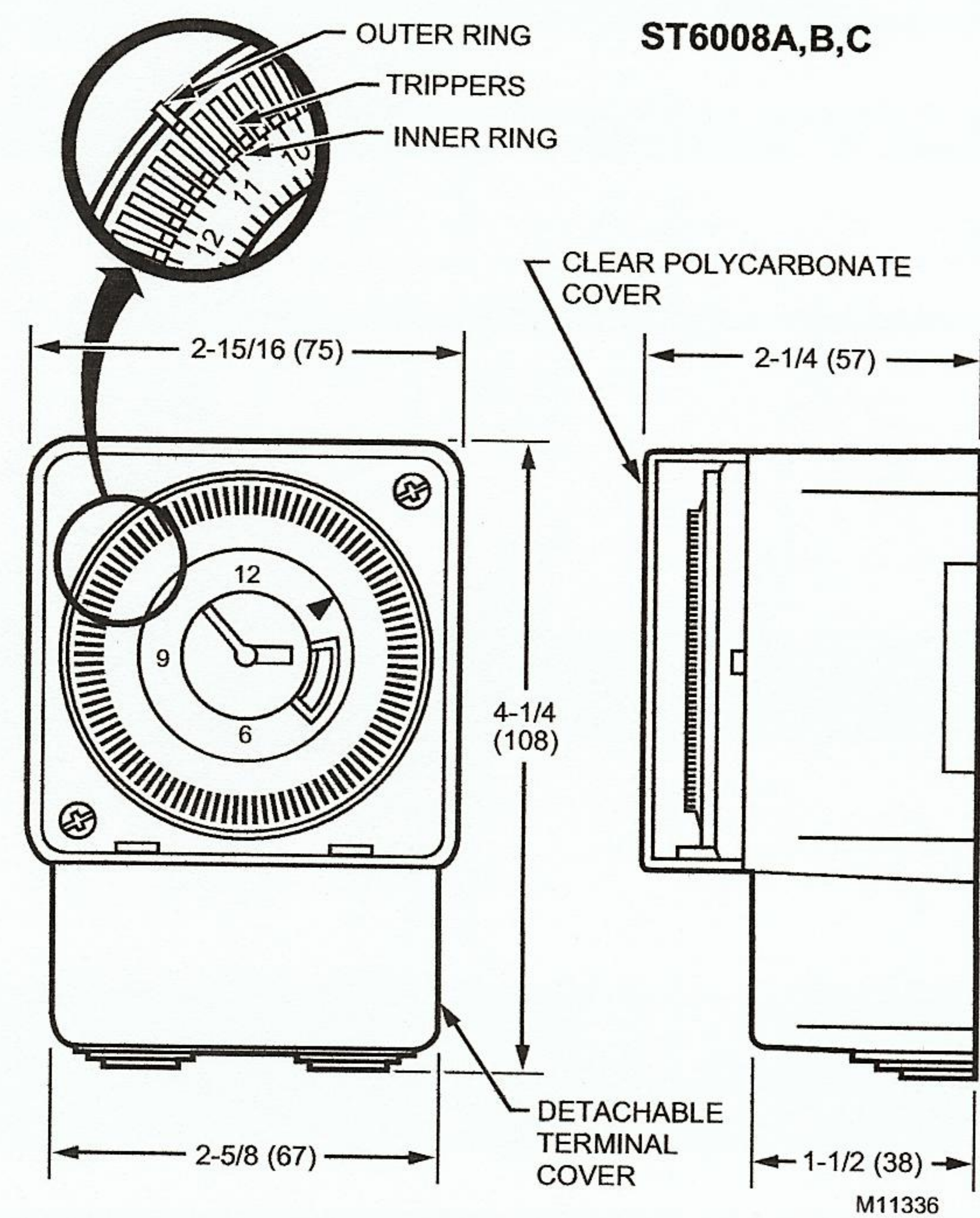


Fig. 1. ST6008A,B,C dimensions in in. (mm).

EPRI Edgemont Precision Rebuilders, Inc  
 Matlack Industrial Center  
 207 Carter Dr Unit C  
 West Chester, PA 19382  
 800-356-3774



## PROGRAMMING

### ST6008B,C 7-day Timer

The weekly program dial displays the seven days of the week and the AM and PM indications for each day. The 24-hour dial is marked in two-hour and AM and PM indications.

#### Set the Time Switch:

NOTE: Each tripper represents two hours.

- ① Push the desired number of trippers to the outer ring position for the entire period the load is on. This places the switch in the on position.
- ② Push the desired number of trippers to the inner ring position to turn off the load. This places the switch in the off position. See Fig. 1.

#### Set the Time:

NOTE: Rotate the outer dial clockwise by turning the minute hand.

- ① Turn the minute hand clockwise until the day and time on the outer dial are aligned with the triangle marker (2:00 position) on the inner dial.  
*Example: To set the dial to Monday, 10:30 AM: Turn the minute hand clockwise to rotate the outer dial until Monday 10:30 AM is aligned with the triangle on the inner dial. The hour and the minute hand show 10:30 AM.*

### ST6008A 24-hour Timer

The 24-hour dial is marked in quarter-hour and AM and PM indications.

#### Set the Time Switch:

NOTE: Each tripper represents 15 minutes.

- ① Push the desired number of trippers to the outer ring position for the entire period the load is on. This places the switch in the on position.
- ② Push the desired number of trippers to the inner ring position to turn off the load. This places the switch in the off position. See Fig. 1.

#### Set the Time:

NOTE: Rotate the outer dial clockwise by turning the minute hand.

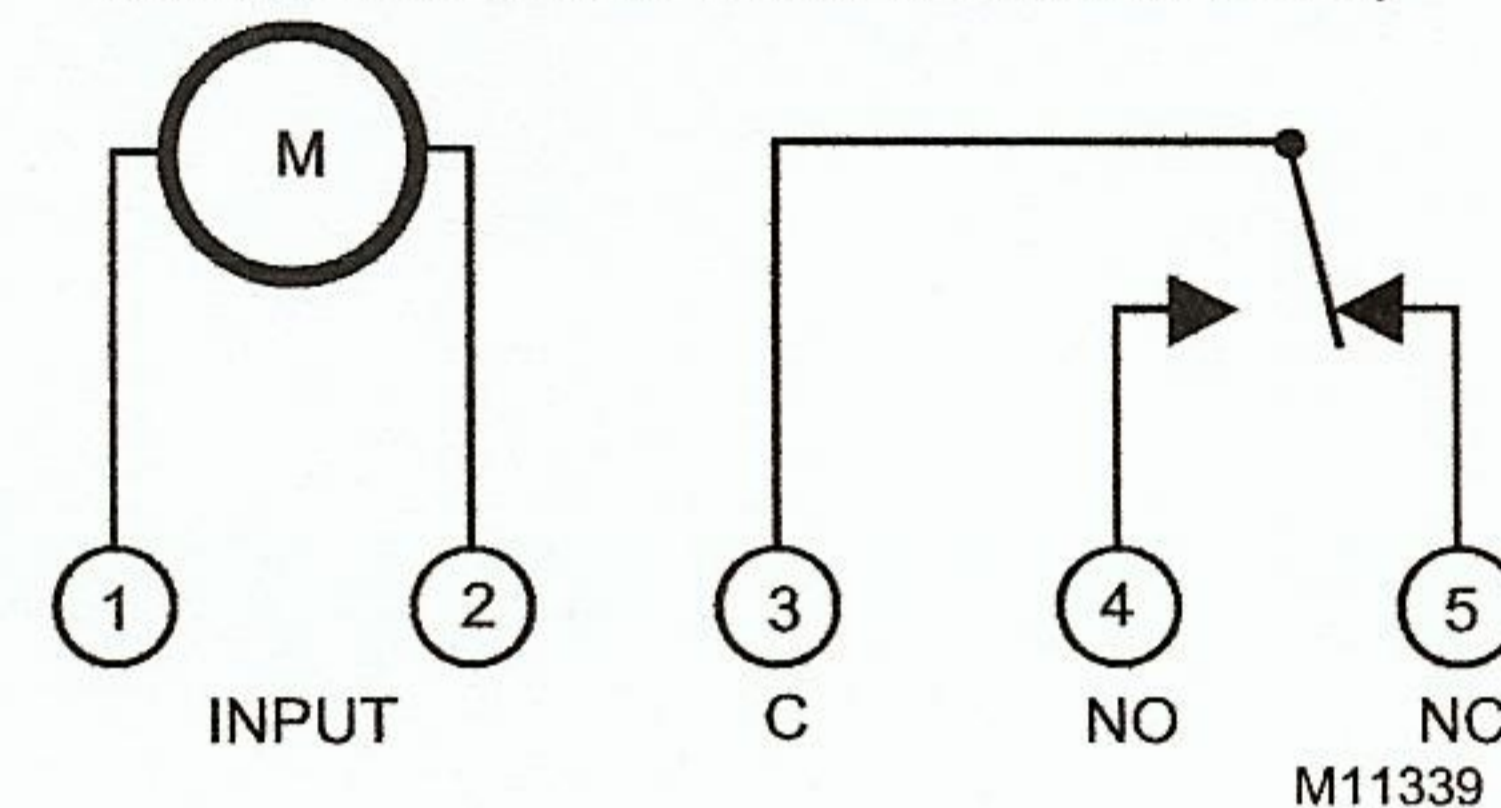
- ① Turn the minute hand clockwise until the time on the outer dial is aligned with the triangle marker (2:00 position) on the inner dial.  
*Example: To set the dial to 10:30 AM: Turn the minute hand clockwise to rotate the outer dial until 10:30 AM is aligned with the triangle on the inner dial. The hour and the minute hand show 10:30 AM.*

### Manual Override

All ST6008 units have an optional three-way manual override.

## TERMINAL DESIGNATIONS

OFF POSITION WITH TRIPPERS PUSHED IN  
(TRIPPERS PUSHED OUT WILL CLOSE  
CONTACTS 3 AND 4 AND TURN LOAD ON)



EPRI Edgemont Precision Rebuilders, Inc  
Matlack Industrial Center  
207 Carter Dr Unit C  
West Chester, PA 19382  
800-356-3774