

Radio Frequency Identification (RFID) Accessories

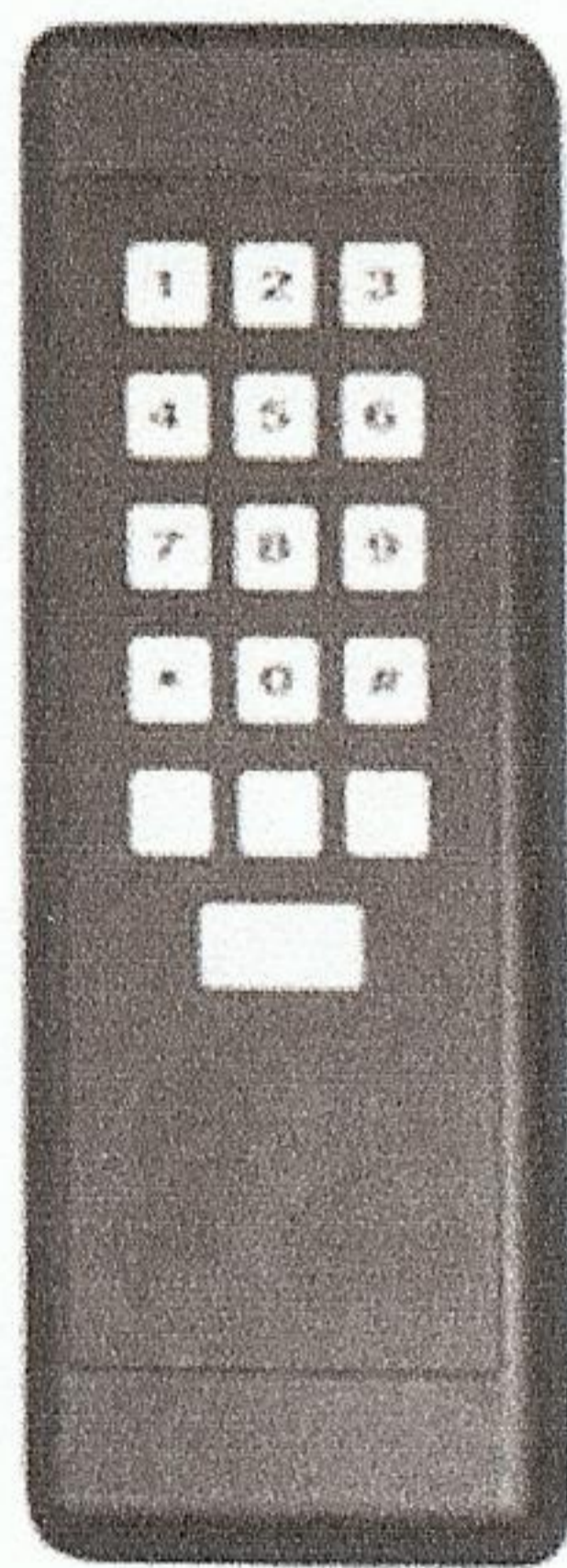
The RFID solution for Schneider Electric EV charging stations consists of the following accessories:

- Handheld Programmer
- Proximity Key Fob

Catalog Numbers

Description	Catalog Number
RFID Handheld Programmer	EVRFIDHP
RFID Key Fobs (Quantity of 10)	EVRFIDKF-10

Handheld Programmer



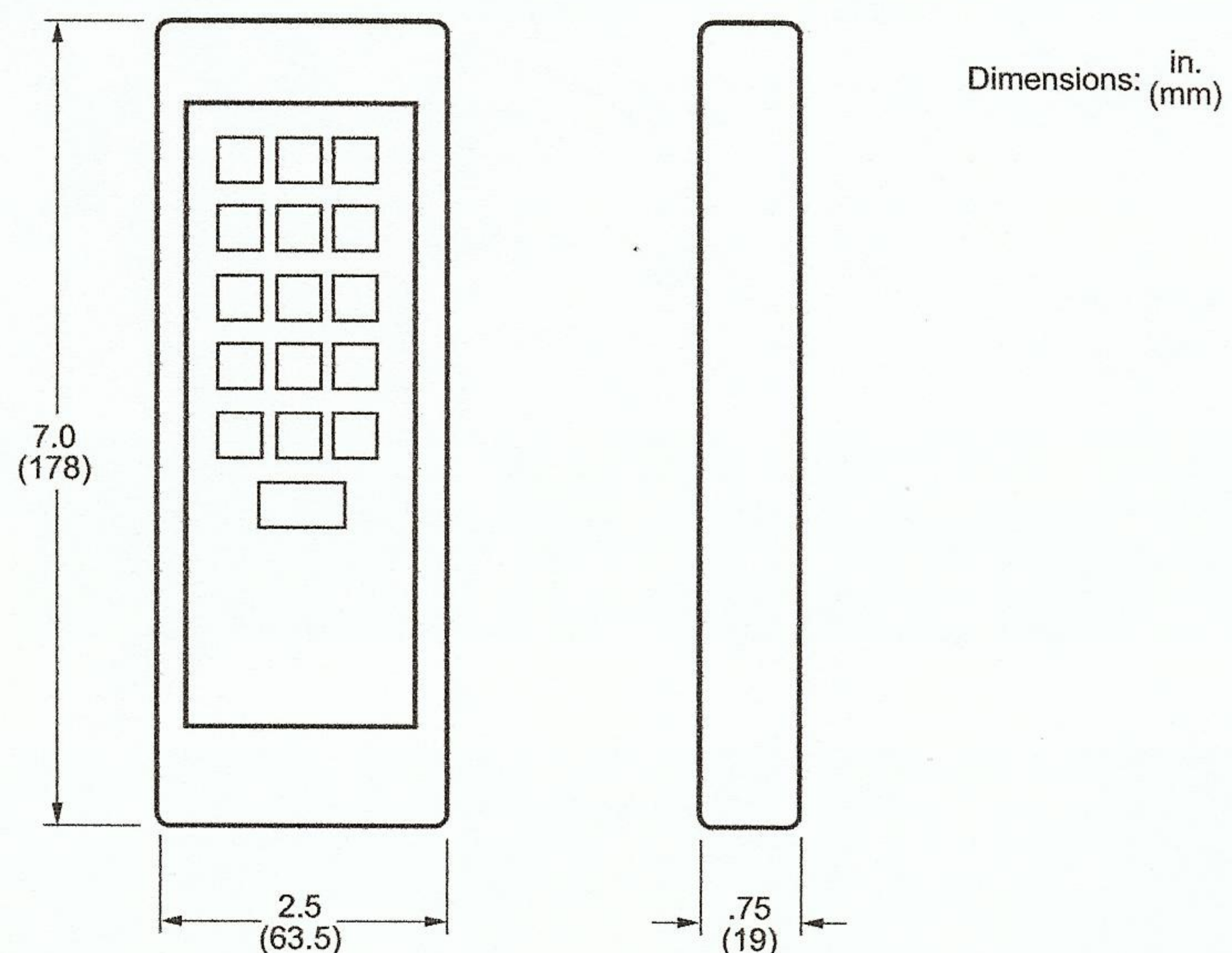
Features

- Used to add and remove users
- One needed for total charging station system
- Connects via radio frequency
- Feedback via audio tone and LED indicator on Proximity Reader
- 4-digit PIN access

Technical Specifications

Frequency	125 kHz / 62.5 kHz
Dimensions	7.0 x 2.5 x 0.75 in. (178 x 63.5 x 19 mm)
Weight	7 oz. (200 g)
Operating Temperature	-22°F to 131°F (-30°C to 55°C)
Color	Black
Material	ABS

Dimensions



EPRI Edgemont Precision Rebuilders, Inc
Matlack Industrial Center
207 Carter Dr Unit C
West Chester, PA 19382
800-356-3774

Electric Vehicle Charging Solutions
Radio Frequency Identification (RFID) Accessories

Proximity Key Fob



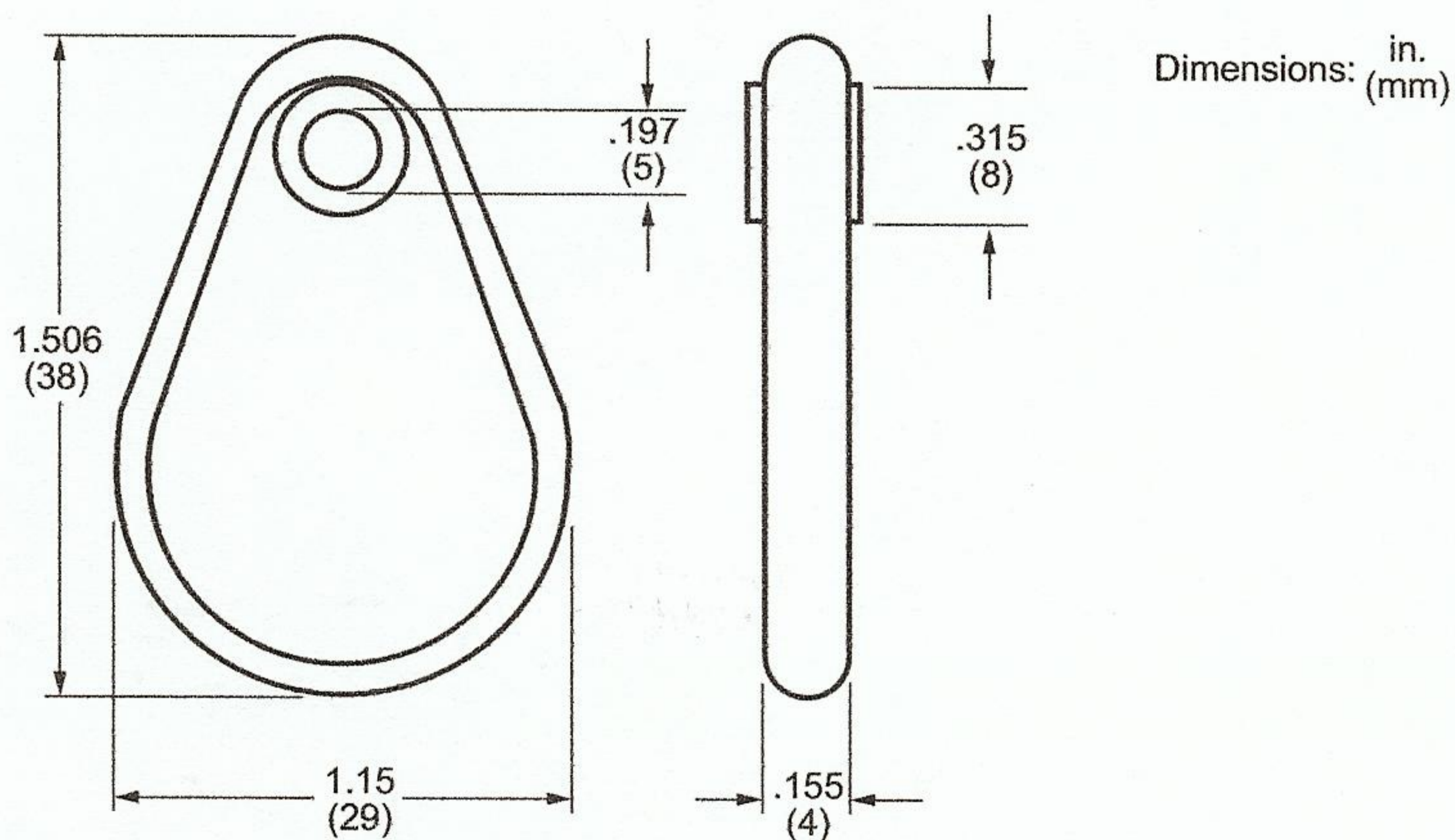
Features

- Very small form factor key fob
- Robust and durable design
- Unique codes

Technical Specifications

Frequency	125 kHz / 62.5 kHz
Dimensions	1.15 x 1.51 x 0.155 in. (29 x 38 x 4 mm)
Weight	0.16 oz. (4.5 g)
Operating Temperature	-40°F to 158°F (-40°C to +70°C)
Humidity	0-100% non-condensing
Color	Gray
Material	ABS body, brass eyelet

Dimensions



EPRI Edgemont Precision Rebuilders, Inc
 Matlack Industrial Center
 207 Carter Dr Unit C
 West Chester, PA 19382
 800-356-3774