

### **Description**

KMC RCC-1513 and RCC-1514 averaging relays are proportional devices designed to average two signals in pneumatic control circuits. They are used where the output signal to the controlled device must be the average of two different source signals. Additionally, air output volume is amplified, minimizing system lag.

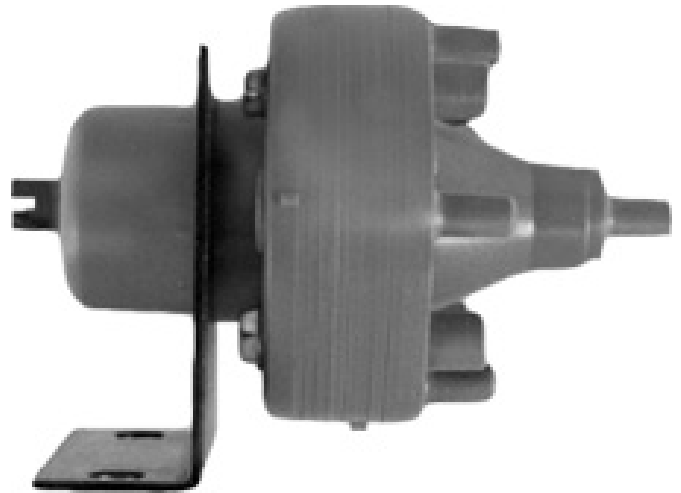
The RCC-1513 and 1514's compact size and light weight make them suitable for in-line or bracket mounting in any position.

### **Features**

- ◆ Proportional averaging of two input signals into one output signal
- ◆ Air volume is amplified minimizing system lag
- ◆ Models are available for bracket or in-line mounting

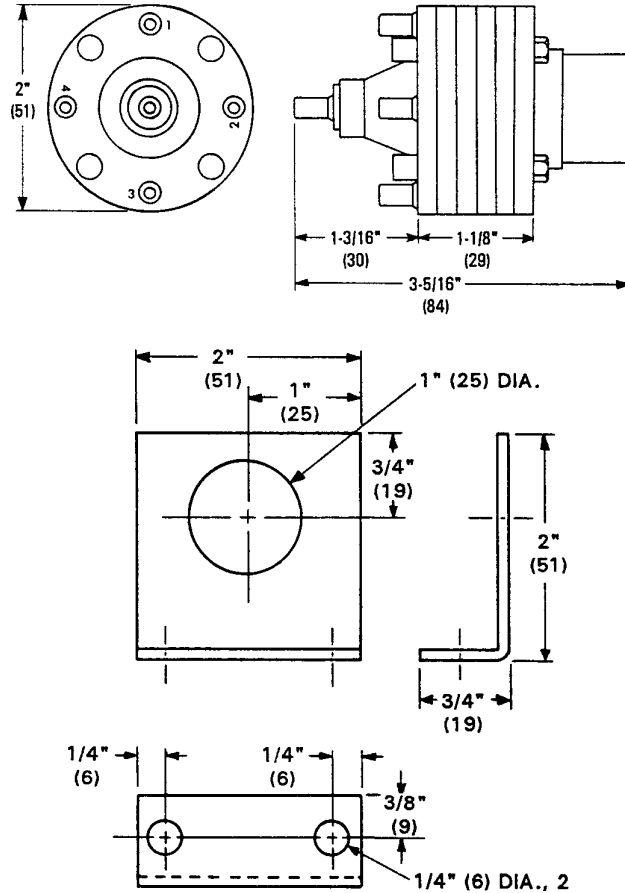
### **Models**

RCC-1513	in-line mount
RCC-1514	with mounting bracket



## Details

All dimensions in inches (mm).



## Specifications

<b>Supply Pressure</b>	30 psig (207 kPa) maximum
<b>Air Consumption</b>	14.4 scim (3.93 mL/s)
<b>Air Capacity</b>	1728 scim (472 mL/s) @ 20 psig (138 kPa)
<b>Connection</b>	3/16" (5 mm) nipple for 1/4" (6 mm) O.D. polyethylene tubing
<b>Factory Settings</b>	Proportional; average of two inputs may not exceed main air pressure
<b>Material</b>	ABS, UL Flame Class 94HB
<b>Weight</b>	1513 2-1/2 oz. (71 grams) 1514 3-3/4 oz. (106 grams)
<b>Temperature Limits</b>	
Operating	40° to 120° F (4° to 49° C)
Shipping	-40° to 140° F (-40° to 60° C)

## !CAUTION

Pneumatic devices **MUST** operate with **CLEAN, DRY**, control air. Any other medium will result in the device's eventual failure.

**KMC Controls, Inc.**  
19476 Industrial Drive  
New Paris, IN 46553  
574.831.5250  
[www.kmcccontrols.com](http://www.kmcccontrols.com)