

### **Description**

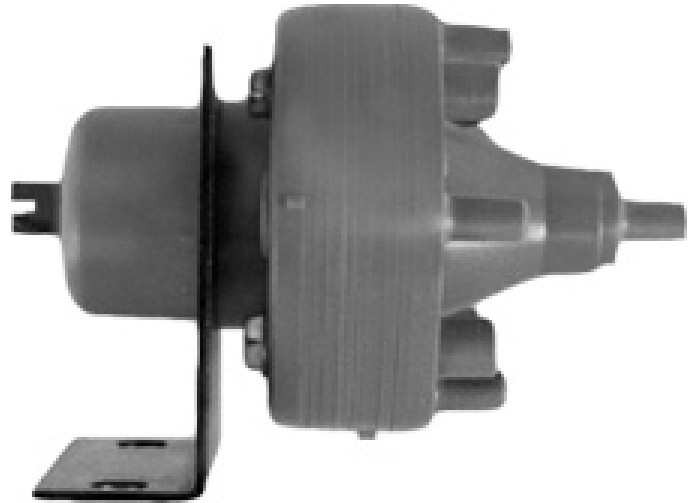
KMC RCC-1511 and 1512 are main valve capacity ratio relays designed to provide an output signal proportional to an input. Applications include pneumatic control circuits where the final control device must be controlled by a signal that is proportionally different from the source signal.

RCC-1511/12 relays react to each 1 psi input change with a 2 psi change to the output signal. A +/- 7.5 psi (52 kPa) bias adjustment is provided. The units are factory set for 9 psi out with 9 psi in with no bias.

The relays compact size and light weight make them suitable for in-line mounting in any position.

### **Features**

- ◆ Proportional 1 to 2 input to output change
- ◆ A +/- 7.5 psig (52 kPa) bias adjustment
- ◆ Models are available for bracket or in-line mounting

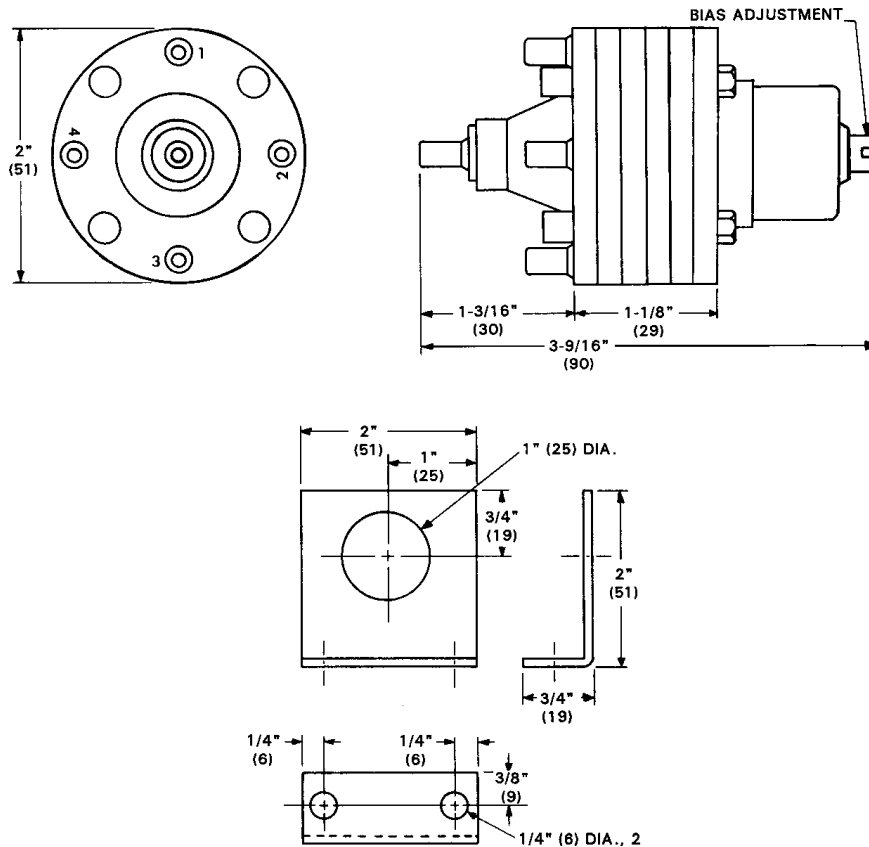


### **Models**

RCC-1511	in-line mount
RCC-1512	with mounting bracket

## Details

All dimensions in inches (mm).



## Specifications

<b>Supply Pressure</b>	30 psig (207 kPa) maximum
<b>Air Consumption</b>	14.4 scim (3.93 mL/s)
<b>Air Capacity</b>	1728 scim (472 mL/s) @ 20 psig (138 kPa)
<b>Connection</b>	3/16" (5mm) nipple for 1/4" (6 mm) O.D. polyethylene tubing
<b>Factory Settings</b>	9 psig in (62 kPa) 9 psig out
<b>Material</b>	ABS, UL Flame Class 94 HB
<b>Weight</b>	1511 2-1/2 oz. (71 grams) 1512 3-3/4 oz. (106 grams)
<b>Temperature Limits</b>	
Operating	40° to 120° F (4° to 49° C)
Shipping	-40° to 140° F (-40° to 60° C)

## !CAUTION

Pneumatic devices **MUST** operate with **CLEAN, DRY**, control air. Any other medium will result in the device's eventual failure.

**KMC Controls, Inc.**

19476 Industrial Drive

New Paris, IN 46553

574.831.5250

[www.kmcccontrols.com](http://www.kmcccontrols.com)