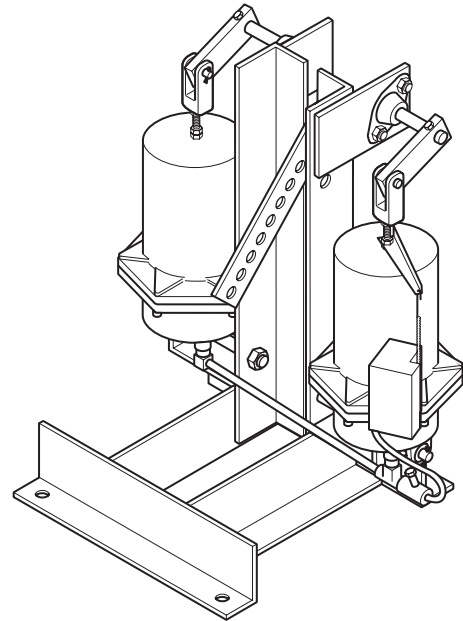


Floor Mounted Damper Actuators

For proportional pneumatic actuator used to control inlet vanes on small and medium size fans or large jackshafted dampers.

Features:

- Dual actuators, operating a single shaft and piloted by a position, provide maximum capacity for heavy loads.
- Lever with multiple holes facilitates stroke adjustment to suit various applications.
- Rigid steel base provides firm actuator support.



MK-7921

Model Chart

Model No.	Diaph. Area (Total) in. ² (cm ²)	Stroke in. (mm)										Max. Torque Power Stroke lb-in. (N-m)	Return Stroke lb-in. (N-m)	Nominal Torque for Proportional Control ^a lb-in. (N-m)
		4 (102)	5 (127)	6 (152)	7 (178)	8 (203)	9 (229)	10 (254)	11 (279)	12 (305)	13 (330)			
		Lb (N) Force Available for Various Strokes ^b												
MK-7821 Single	20 (129)	135 (600)	108 (480)	90 (400)	77 (343)	68 (302)	60 (267)	54 (240)	49 (218)	45 (200)	42 (187)	315 (35.5)	360 (40.6)	67.5 (7.6)
MK-7921 Dual	40 (258)	270 (1201)	216 (961)	180 (801)	154 (685)	136 (605)	120 (534)	109 (465)	98 (436)	90 (400)	84 (374)	630 (71.0)	720 (81.2)	135 (15.2)

^a Based on a 1.5 psig (10kPa) pressure change at the actuator.

^b With 20 psig (138 kPa) main supply.

MK-7821, MK-7921

Specifications

Construction

Housing	Die cast aluminum.
Diaphragm	Replaceable beaded molded neoprene.
Assembly	Actuator(s) and positive positioner (AK-42309-500) are factory mounted on a frame of channel and angle iron.
Rotary output	Provided by a driving lever arm connected to a bearing supported jackshaft.
Stroke	Rotary output of 60° driving lever arm connecting point adjustable from 4 to 13 in. (102 to 330 mm), in 1 in. (25.4 mm) increments, from centerline of jackshaft.
Nominal Damper Area	Actuator sizing should be done in accordance with damper manufacturer's specifications.
Connecting linkage	AM-394 adjustable 15-3/4 to 24-3/4 in. (400 to 629 mm) is included to link actuator to damper.
Spring	Retracts actuator shaft on loss of air pressure.
Maximum air pressure	30 psig (207 kPa).
Ambient temperature limits	
Shipping	-40 to 160°F (-40 to 71°C).
Operating	-20 to 160°F (-29 to 71°C).
Air connections	Barbed fitting for 1/4 in. plastic tubing.
Mounting	Floor.
Dimensions	30-1/2 H x 16 W x 20 D in. (775 x 406 x 508 mm).

Accessories

Model No.	Description
AM-535	Clevis with 3/8 in. FNPT.
PND-245-103	2 to 8 green spring.
PND-245-108	8 to 13 blue spring.
PND-202	Diaphragm.