

HC-67x3 Series

# TRUERH™ Humidity Controllers



**HC-6703-4N00W Wall Mount Humidity Controller**



**HC-6703-6N00P Duct Probe Humidity Controller**

## Description

The TRUERH™ Series HC-67x3 Humidity Controllers come in both wall and duct mount packages. These attractively styled controllers offer ease of installation and application flexibility. The patented All-Polymer™ humidity sensor construction improves resistance to chemical corrosion. The HC-67x3 functions as a proportional humidity controller.

The output is jumper-selectable Reverse Acting (RA) or Direct Acting (DA), along with an adjustable setpoint and proportional band.

## Features

- TRUERH™ Technology features patented improvements in circuitry and calibration techniques
- All-Polymer humidity sensor with patented sensing element provides accurate and reliable humidity sensing with the patented sensing element
- jumper-selectable RA or DA output, 0 to 10 or 6 to 9 VDC, maximizes control and application flexibility

- RH Adjustable Setpoint Range and Proportional Band allows local setpoint adjustment and provides application versatility
- all-plastic material for the duct probe improves thermal performance and complies with Underwriters Laboratories® Inc (UL) flammability ratings for plenum use

## To Order

Specify the code number from the selection chart. Refer to the Accessories table for accessories and replacement parts available for the wall mount humidity controller. (There are none for the duct probe model.)

## Selection Chart

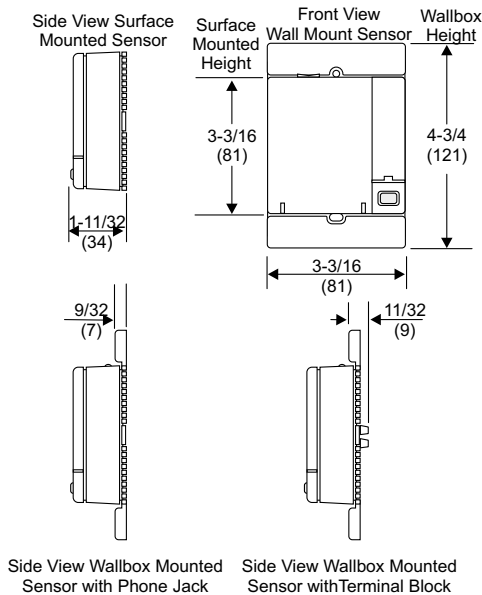
Code Number	Description
HC-6703-4N00W	Wall Mount Humidity Controller
HC-6703-6N00P	Duct Probe Humidity Controller

## Accessories

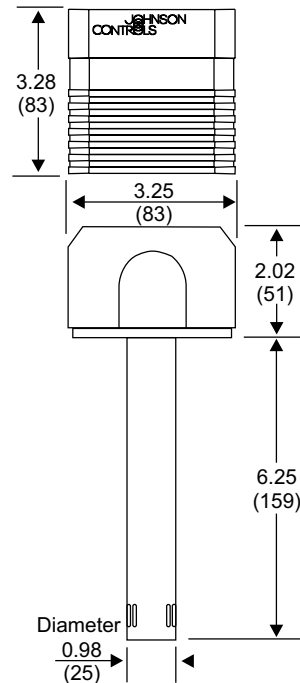
Code Number	Description
ACC-DWCLIP-0	Drywall Clip Mounting Kit (10 per bag)
ACC-INSL-0 (a)	Foam Pad Kit for Wallbox Mounting (10 per package)
ACC-INSL-1 (a)	Foam Pad Kit for Surface Mounting (10 per package)
GRD10A-608	Plastic Guard with Baseplate and Mounting Ring
T-4000-119	Allen-Head Adjustment Tool (30 per bag)
TE-67MB-600	Mounting Base Kit
TE-67D0-601 (b)	Door Replacement Kit with Johnson Controls logo
TE-67D0-602 (b)	Door Replacement Kit without logo

(a) These foam pads help prevent drafts from entering the unit through the wall, and make installation easier when mounting on an uneven surface.

(b) Contains 10 original and 10 new style doors.



**Wall Mount Humidity Controller Dimensions, in. (mm)**



**Duct Probe Humidity Controller Dimensions, in. (mm)**

## HC-67x3 Series TRUERH™ Humidity Controllers (Continued)

### Specifications

HC-67x3 Series TRUERH™ Humidity Controllers	
<b>Power Requirements</b>	14 to 30 VDC at 10 mA or 20 to 30 VAC, 50/60 Hz at 15 mA with no load, Class 2
<b>Control Action</b>	Jumper selectable, direct or reverse (factory set for reverse acting)
<b>Output Range</b>	Jumper selectable, 0 to 10 VDC (factory set) or 6 to 9 VDC; 5k ohm minimum load impedance
<b>Sensor</b>	<b>Element Material</b> All-Polymer
<b>Characteristics</b>	<b>Sensing Range</b> 0 to 100% RH, noncondensing
<b>User Adjustments</b>	<b>Setpoint</b> Adjustable from 20 to 80% RH
	<b>Proportional Band</b> Adjustable from 2 to 20% RH
<b>Temperature Coefficient</b>	-0.1 to 0.05% RH/°C at 5°C (41°F) to -0.07 to -0.21% RH/°C at 65°C (149°F)
<b>Electrical Connections</b>	3-position screw terminal block
<b>Ambient Operating Conditions</b>	32 to 122°F (0 to 50°C); 0 to 100% RH, noncondensing; 85°F (29°C) maximum dew point
<b>Survival Operating Conditions</b>	-22 to 140°F (-30 to 60°C); 0 to 100% RH, noncondensing; 85°F (29°C) maximum dew point
<b>Ambient Storage Conditions</b>	-40 to 176°F (-40 to 80°C); 0 to 100% RH, noncondensing; 85°F (29°C) maximum dew point
<b>Materials</b>	<b>Wall Mount</b> White PC/ABS plastic enclosure mounting base for surface or standard U.S. wallbox mounting, including hardware
	<b>Duct Probe</b> Light gray plastic cover with dark gray housing and probe
<b>Dimensions</b>	<b>Wall Mount (H x W x D)</b> 3.20 x 3.20 x 1.34 in. (81 x 81 x 34 mm)
	<b>Duct Probe (H x W x D)</b> 3.28 x 3.25 x 8.27 in. (83 x 83 x 210 mm)
	<b>Probe (L x D)</b> 6.25 x 0.98 in. (159 x 25 mm)
<b>Agency Compliance</b>	<b>Duct Probe Material</b> 94-5V flammability rated per UL 94