

## Description

The CTC-4101 thermostat is a fully proportional direct acting, two-pipe, non-bleed pneumatic temperature controller.

A graduated setpoint dial is easily accessed. The unit's non-bleed design prevents air usage except when the pressure of the output signal increases. The thermal sensing system is liquid filled, 47" (119 cm) long and proportionally sensitive over the full length of the element.

The unit includes a main air filter (HFO-0006), mounting bracket and barbed connection for 1/4" (6 mm) O.D. plastic tubing.

## Applications

The CTC-4101 is designed as a low limit control for unit ventilators and air handling units. It may also be used for primary temperature control of coil discharge, or damper control based on temperature.



## Accessories

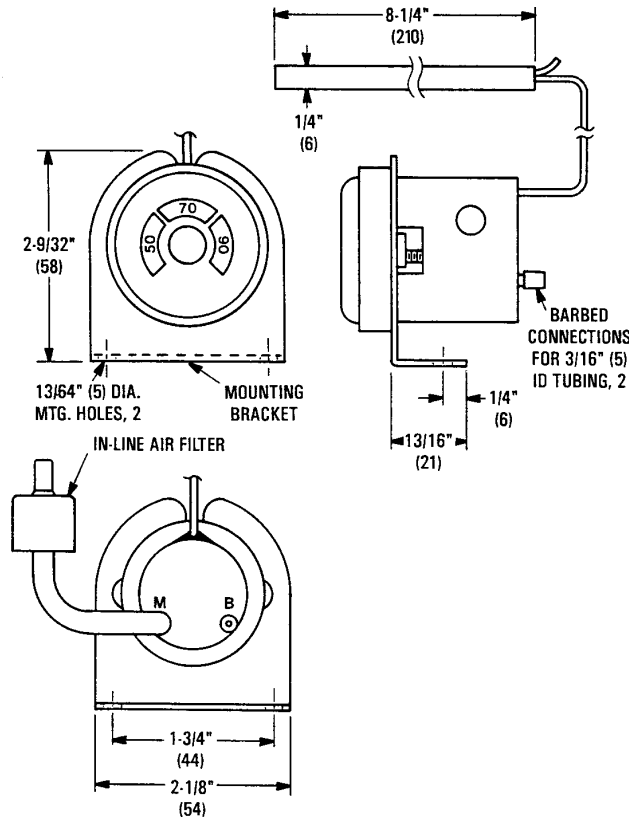
HFO-0006	Main line air filter
----------	----------------------

## !CAUTION

Pneumatic devices **MUST** operate with CLEAN, DRY, control air. Any other medium will result in the device's eventual failure.

## Details

All dimensions in inches (mm).



## Specifications

<b>Setpoint Range</b>	40° to 95° F (5° to 35° C)
<b>Proportional Band</b>	4° F (2.2° C)
<b>Supply Pressure</b>	20 psig (138 kPa) Operating 30 psig (207 kPa) Maximum
<b>Air Consumption</b>	20.7 scim (5.52 mL/s)
<b>Action</b>	Direct
<b>Maximum Temp.</b>	131° F (55° C)
<b>Material</b>	
Housing	Aluminum die-cast
Internal Parts	Brass
Setpoint Indicator	Plastic
<b>Bulb</b>	Liquid filled, 47" (119 cm)
<b>Connections</b>	For 1/4" (6 mm) O.D. polyethylene tubing
<b>Weight</b>	9.5 oz. (269 grams)
<b>Temperature Limits</b>	
Operating	40° to 120° F (4° to 49° C)
Shipping	-40° to 140° F (-40° to 60° C)

**KMC Controls, Inc.**  
19476 Industrial Drive  
New Paris, IN 46553  
574.831.5250  
[www.kmcccontrols.com](http://www.kmcccontrols.com)