

Description

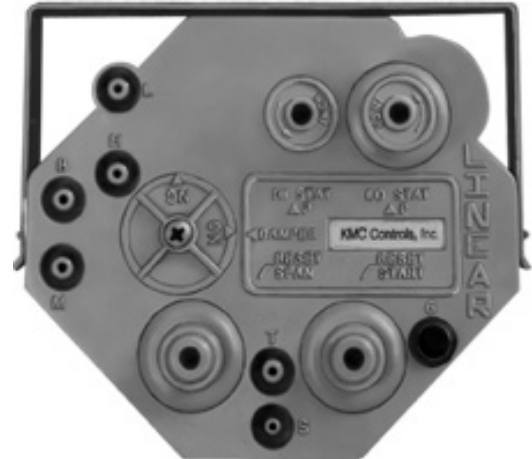
The KMC CSC-3501 and CSC-3505 Linear Reset Volume Controllers are sub-master air velocity controllers designed for use on VAV terminal units in HVAC systems where linear reset is necessary. They are ideal for dual-duct constant volume systems, and exhaust or supply tracking systems. The CSC-3501 has a one-inch differential pressure range. The CSC-3505 has a two-inch differential pressure range.

The velocity setpoint is linearly reset between preset minimum and maximum limits by a master controller, usually a room thermostat.

The CSC-3501/3505 multifunctional controllers are used for either direct or reverse acting reset for normally open or closed terminal units. The reset start point and reset span (the changes between the preset minimum and maximum flows) are factory set but field adjustable. Once set, the span is always constant regardless of the minimum and maximum limit settings.

Features

- ◆ One or two inch differential pressure range
- ◆ Direct or reverse action
- ◆ Field adjustable reset start point and span



Models

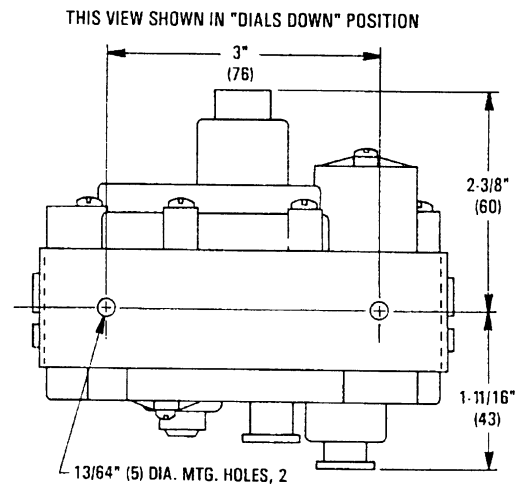
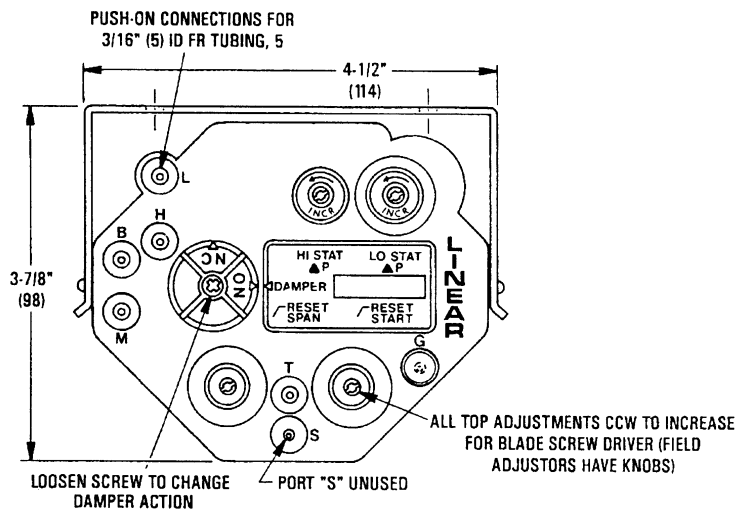
CSC-3501	0 to 1" Range
CSC-3505	0 to 2" Range

!CAUTION

Pneumatic devices **MUST** operate with **CLEAN, DRY**, control air. Any other medium will result in the device's eventual failure.

Details

All dimensions in inches (mm).



Specifications

Differential Pressure Range

CSC-3501	0 to 1" wg (249 Pa)
CSC-3505	0 to 2" wg (498 Pa)

Minimum Setpoint Range

CSC-3501	0 to 1" wg (249 Pa)
CSC-3505	0 to 2" wg (498 Pa)

Maximum Setpoint Range

CSC-3501	0 to 1" wg (249 Pa)
CSC-3505	0 to 2" wg (498 Pa)

Maximum Signal Pressure

6.0" wg (1494 Pa) applied to either port (H or L)

Reset Pressure Range

Factory set @ 5 psig (34 kPa);
field adjustable 0-7 psig
(48 kPa)

Reset Start Point Factory set @ 8 psig (55 kPa);
field adjustable 0-10 psig

Output Sensitivity 5 psi/.02" wg (35 kPa/ 5 Pa)

Damper Action

Factory set @ N.O. field adjustable for N.C. or N.O.

Thermostat Action

Direct or reverse acting for cooling or heating

Main Air Pressure

15-30 psig (103 to 207 kPa)

Air Consumption

43.2 scim @ 20 psig
(11.8 mL/s @ 138 kPa)

Materials

ABS, UL Flame Class 94 HB

Ambient Limits

Operating	40° to 120° F (4° to 49° C)
Shipping	-40° to 140° F (-40° to 60° C)

Weight

12 oz. (340 grams)

KMC Controls, Inc.

19476 Industrial Drive
New Paris, IN 46553

574.831.5250

www.kmccontrols.com