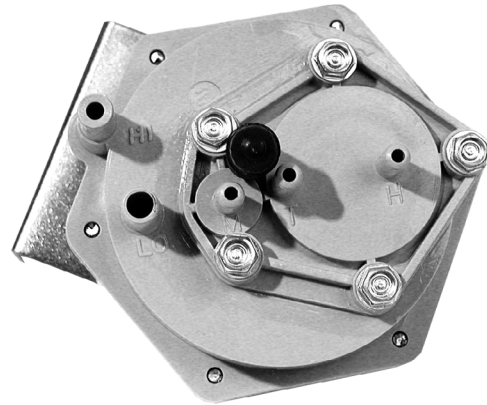


### Description

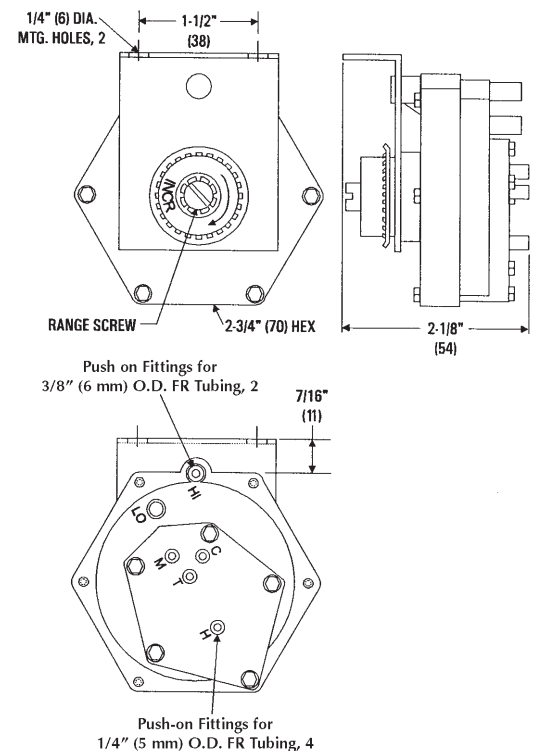
The CSC-1001 Constant Volume Controller is designed for use on constant volume boxes in HVAC systems. The CSC-1001 has two low-volume output connections that allow two different modes of operation. In one mode, the CSC-1001 is a constant volume controller without a thermostat override. In the other mode, the CSC-1001 is a high-limit controller that assumes control of a VAV terminal if a thermostat calls for too much flow.



### Specifications

<b>Setpoint Range</b>	0 to 1" wc (249 kPa)
<b>Proportional Band</b>	0.04" wc (10 Pa)
<b>Supply Pressure</b>	20 psig (138 kPa) operating 30 psig (207 kPa) maximum
<b>Air Consumption</b>	14.4 scim (3.93 mL/s) @ 20 psig
<b>Action</b>	N.O. dampers only; requires D.A. Thermostat for heating, R.A. for cooling
<b>Ports</b>	Differential Pressure Flow Sensor (HI and LO), Main Air (M), Thermostat (T), Actuator (H or C, dependent on application)
<b>Material</b>	ABS UL Flame Class 94 HB
<b>Weight</b>	4 oz. (113 grams)
<b>Temperature Limits</b>	
Operating	40° to 120° F (4° to 49° C)
Shipping	-40° to 140° F (-40° to 60° C)

### Details



### CAUTION

Pneumatic devices must be supplied with clean, dry control air. Any other medium (e.g., oil or moisture contamination) will cause the device to fail.

### Accessories

HFO-0006	In-line control-air filter
HFO-0013	Replacement C/H port rubber cap
ICI-1005	Pressure gauge
SSS-1002	1 sensing point; 3-5/32" length
SSS-1003	2 sensing points; 5-13/32" length
SSS-1004	3 sensing points; 7-21/32" length
SSS-1005	4 sensing points; 9-29/32" length

### KMC Controls, Inc.

19476 Industrial Drive, New Paris, IN 46553  
574.831.5250

[www.kmcccontrols.com](http://www.kmcccontrols.com); [info@kmcccontrols.com](mailto:info@kmcccontrols.com)