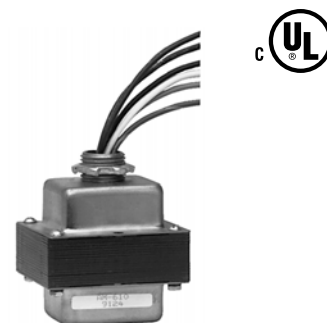


## Application

To provide 24 Vac power to components such as actuators and controllers.

## Features

- Meets NEC Class 2 requirements
- 120/208/240 Vac multiple primary
- Color coded leads



## Applicable Literature

- Cross-Reference Guide, F-23638
- Reference Manual, F-12683
- Application Manual, F-21335

## SPECIFICATIONS

### Transformer Inputs

**Voltage and Current Ratings:**

**Primary,** 120/208/240 volts, 50/60Hz.

**Secondary,** 24 Vac, 40 VA.

**Leads:** 7" (178 mm) long, #18 GA. stranded wire.

**Rating:** NEC Class 2.

**Mounting:** 1/2"-14 standard straight pipe thread conduit nipple.

### Environment

**Ambient Temperature Limits:**

**Shipping and Storage,** -40 to 160°F (-40 to 71°C).

**Operating,** -40 to 140°F (-40 to 60°C).

**Location:** NEMA Type 1.

## INSTALLATION

### Inspection

Inspect the package for damage. If damaged, notify the appropriate carrier immediately. If undamaged, open the package and inspect the device for obvious damage. Return damaged products.

### Requirements

- Tools (not provided):
  - Volt-ohm Meter (VOM)
  - Appropriate screwdriver for mounting screws and terminal connections
- Training: Installer must be a qualified, experienced technician.

#### WARNING

- Avoid locations where excessive moisture, corrosive fumes or vibration are present.
- Make all connections in accordance with the wiring table (Table-1) and in accordance with national and local electrical codes. *Use No. 18 AWG or larger copper conductors only.*

#### CAUTION

- Do not exceed ratings of the device.



## Mounting

Mount AM-610 transformer to 4" X 4" conduit box by referring to Figure-1, and using the following procedure:

1. Remove lock nut from conduit nipple on transformer.
2. Remove the cover plate of the conduit box.
3. Insert the transformer conduit nipple into cover plate knockout.
4. Replace lock nut and tighten to secure transformer to the cover plate.
5. Proceed with transformer wiring (refer to the Wiring Section Table-1 for lead descriptions).
6. Tape off all unused wire leads.

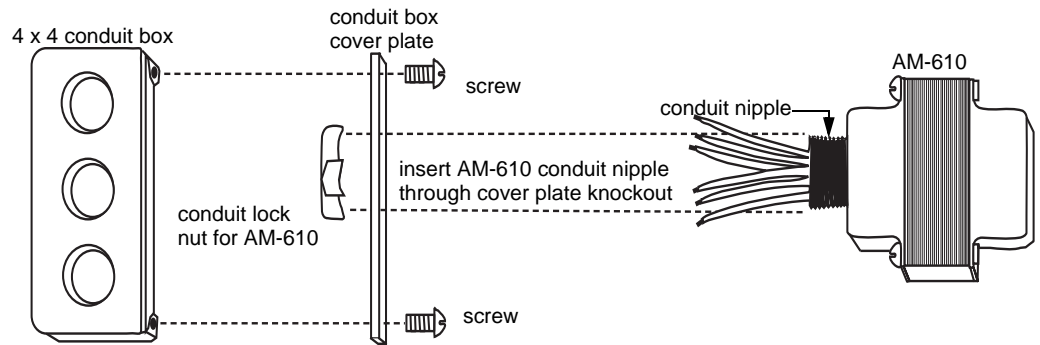


Figure-1 AM-610 Conduit Box Assembly.

## Wiring

**Table-1 Transformer Power Lead Selection.**

Rating	Selection	Color
Primary	120 volts	White
	208 volts	Red/Yellow
	240 volts	Orange
	Common	Black
Secondary	24 volts	Brown



### **WARNING**

Tape unused power wires. Injury may occur if bare wires are not taped off.

## DIMENSIONAL DATA

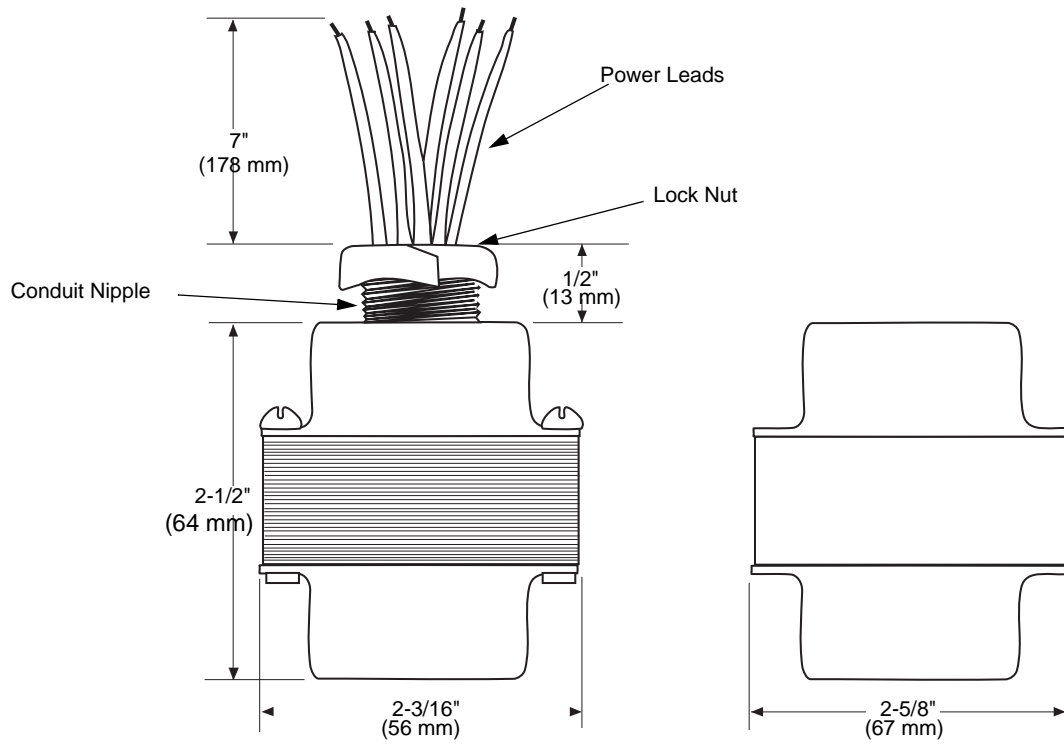


Figure-2 AM-610 Transformer.

On October 1st, 2009, TAC became the Buildings business of its parent company Schneider Electric. This document reflects the visual identity of Schneider Electric, however there remains references to TAC as a corporate brand in the body copy. As each document is updated, the body copy will be changed to reflect appropriate corporate brand changes.

Copyright 2010, Schneider Electric  
All brand names, trademarks and registered trademarks are the property of their respective owners. Information contained within this document is subject to change without notice.

**Schneider Electric**  
1354 Clifford Avenue  
P.O. Box 2940  
Loves Park, IL 61132-2940

[www.schneider-electric.com/buildings](http://www.schneider-electric.com/buildings)

**Schneider**  
 **Electric**