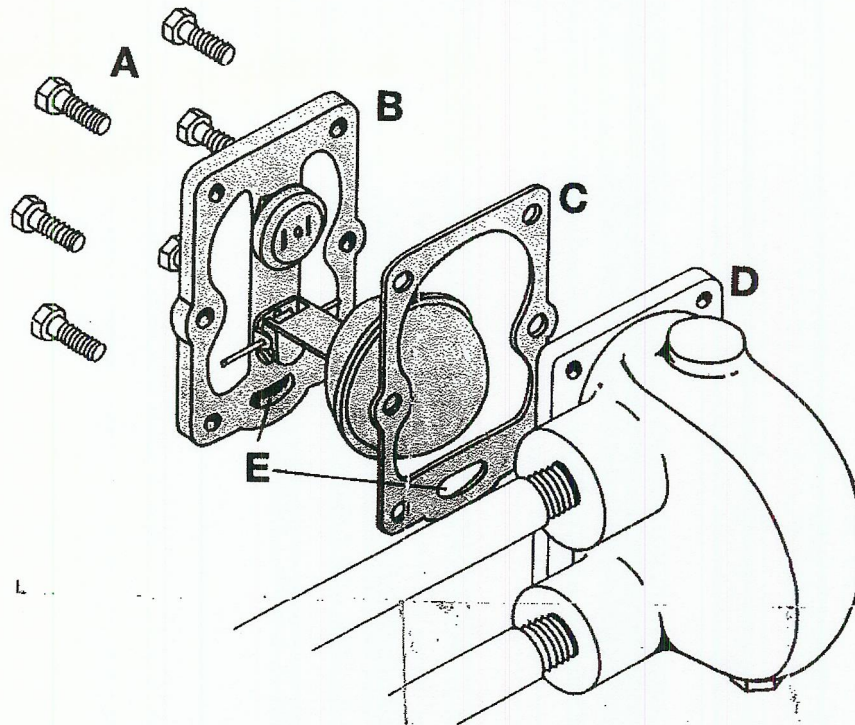


EPRI Edgemont Precision Rebuilders, Inc.

Matlack Industrial Center  
207 Carter Dr Unit C  
West Chester, PA 19382  
800 356-3774

IS-WFTC

## INSTALLATION INSTRUCTIONS: Series WFTC F&T Cover Assembly Repair Kits



### SMALL VALVE REASSEMBLY

#### INSTALLATION:

1. Close supply and return side valves and let steam trap cool.
2. Remove bolts (A) wire brush clean if needed, and put aside.
3. Remove existing cover assembly and discard. Remove old cover gasket and discard. Make sure that the body flange is clean and all remnants of the old gasket are scraped off. Trap body (D) stays attached to the system piping. Clean out any sludge/debris from inside the trap body.
4. Install new cover assembly (B) with new cover gasket (C), making sure port (E) lines up with similar port in the gasket and trap body. Reinstall original bolts and torque between 25-40 ft - lbs.
5. Slowly open supply valve, then slowly open return side valve. Check and retorqued bolts after the trap is at operating temperature.

**LIMITED WARRANTY:** Watts Regulator Company warrants each product against defects in material and workmanship for a period of one year from the date of original shipment. In the event of such defects within the warranty period, the Company will, at its option, replace or recondition the product without charge. This shall constitute the exclusive remedy for breach of warranty, and the Company shall not be responsible for any incidental or consequential damages, including without limitation, damages or other costs resulting from labor charges, delays, vandalism, negligence, fouling caused by foreign material, damage from adverse water conditions, chemicals, or any other circumstances over which the Company has no control. This warranty shall be invalidated by any abuse, misuse, misapplication or improper installation of the product. THE COMPANY MAKES NO OTHER WARRANTIES EXPRESS OR IMPLIED EXCEPT AS PROVIDED IN THIS LIMITED WARRANTY.